

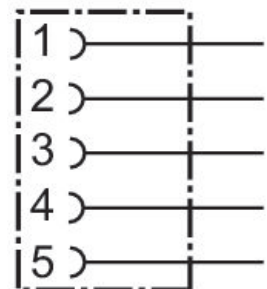
Round plug connector, Series CON-RD

R412026806

General series information

AVENTICS Series CON-RD Round plug connectors

- The AVENTICS Series CON-RD offers round plug connectors for self assembly, as well as terminating plug for fieldbus , adaptors and y-connectors as well as IP protection caps.



Technical data

Industry	Industrial
Type	for series AES
Type	Round plug connectors
Connection type	Insulation-piercing terminal connection
min. suitable cable Ø	4 mm
max. suitable cable Ø	8 mm
Protocol	CANopen DeviceNet
Connector standard	EN 61076-2-101
Certificates	RoHS UL (Underwriters Laboratories)
Shielding	shielded

Min. ambient temperature	-40 °C
Max. ambient temperature	85 °C
Max. current	4 A
Protection class	IP67
Operational voltage	48 V AC/DC
Electrical connection 1, type	Socket
Electrical connection 1, thread size	M12x1
Electrical connection 1, number of poles	5-pin
Electrical connection 1, coding	A-coded
Cable exit	angled
Weight	0.044 kg

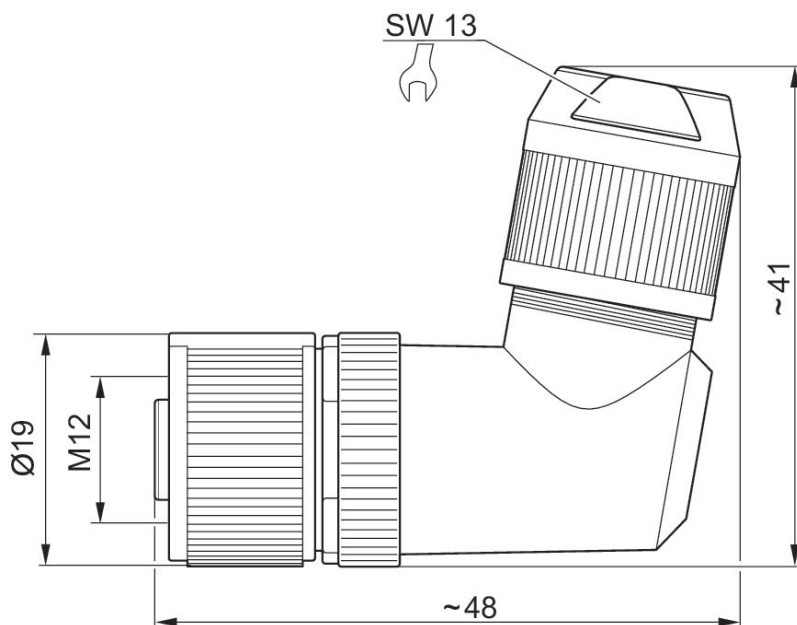
Material

Housing material	Die cast zinc
Seal material	Acrylonitrile butadiene rubber
Part No.	R412026806

Technical information

The specified protection class is only valid in assembled and tested state.

Dimensions in mm



Pin assignment, socket

