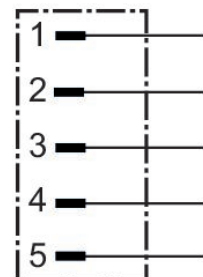


# Round plug connector, Series CON-RD

R412026803

General series information  
AVENTICS Series CON-RD Round plug connectors

- The AVENTICS Series CON-RD offers round plug connectors for self assembly, as well as terminating plug for fieldbus , adaptors and y-connectors as well as IP protection caps.



## Technical data

Industry	Industrial
Type	for series AES
Type	Round plug connectors
Connection type	Push-in
min. suitable cable Ø	4 mm
max. suitable cable Ø	8 mm
Protocol	PROFIBUS DP
Connector standard	EN 61076-2-101
Certificates	RoHS UL (Underwriters Laboratories)
Shielding	shielded
Min. ambient temperature	-40 °C

Max. ambient temperature	85 °C
Max. current	4 A
Protection class	IP67
Operational voltage	48 V AC/DC
Electrical connection 1, type	Plug
Electrical connection 1, thread size	M12x1
Electrical connection 1, number of poles	5-pin
Electrical connection 1, coding	B-coded
Cable exit	angled
Weight	0.044 kg

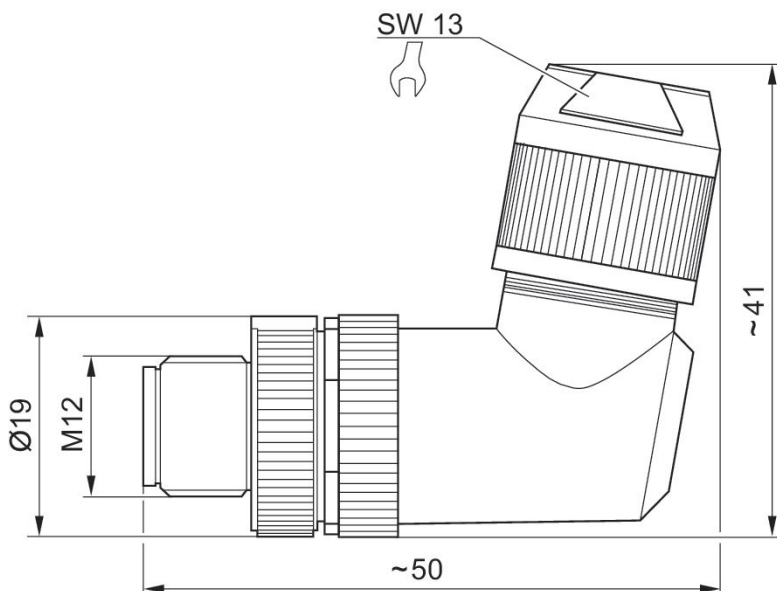
## Material

Housing material	Die cast zinc
Seal material	Acrylonitrile butadiene rubber
Part No.	R412026803

## Technical information

The specified protection class is only valid in assembled and tested state.

## Dimensions in mm



### Plug pin assignment

