

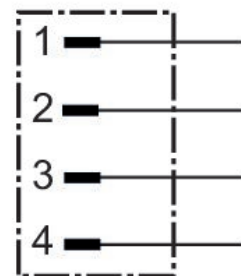
Round plug connector, Series CON-RD

R412026802

General series information

AVENTICS Series CON-RD Round plug connectors

- The AVENTICS Series CON-RD offers round plug connectors for self assembly, as well as terminating plug for fieldbus, adaptors and y-connectors as well as IP protection caps.



Technical data

Industry

Industrial

Type

for series AES

Type

Round plug connectors

Connection type

Insulation-piercing terminal connection

min. suitable cable Ø

4 mm

max. suitable cable Ø

8 mm

Protocol

Profinet

EtherNet/IP

EtherCAT

POWERLINK

Connector standard

EN 61076-2-101

Certificates

RoHS

UL (Underwriters Laboratories)

Shielding	shielded
Min. ambient temperature	-40 °C
Max. ambient temperature	85 °C
Max. current	1.75 A
Number of wires	4
Protection class	IP67
Operational voltage	48 V AC/DC
Electrical connection 1, type	Plug
Electrical connection 1, thread size	M12x1
Electrical connection 1, number of poles	4-pin
Electrical connection 1, coding	D-coded
Cable exit	angled
Weight	0.047 kg

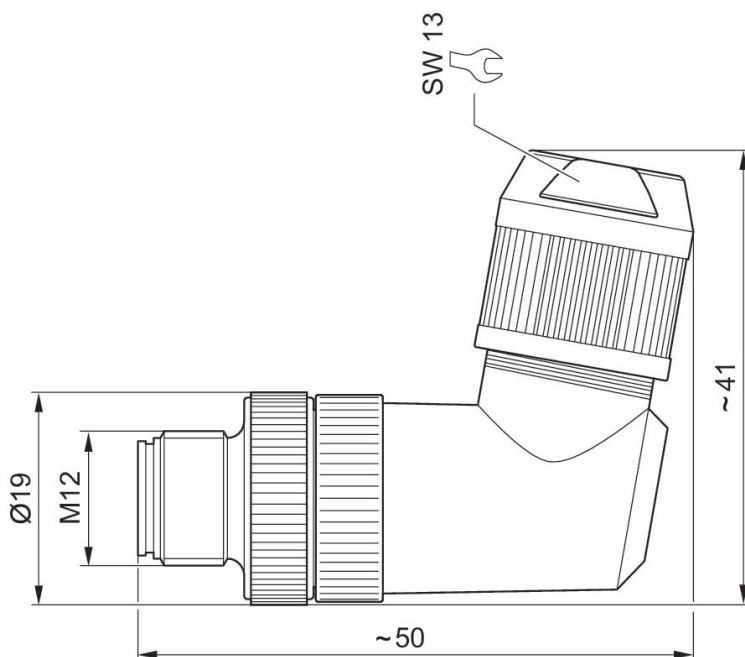
Material

Housing material	Die cast zinc
Seal material	Chloroprene rubber
Part No.	R412026802

Technical information

The specified protection class is only valid in assembled and tested state.

Dimensions in mm



Plug pin assignment

