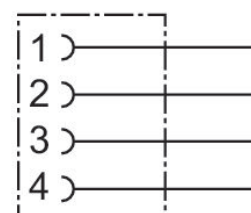


# Round plug connector, Series CON-RD

## R412026791

General series information  
AVENTICS Series CON-RD Round plug connectors

- The AVENTICS Series CON-RD offers round plug connectors for self assembly, as well as terminating plug for fieldbus, adaptors and y-connectors as well as IP protection caps.



### Technical data

Industry	Industrial
Type	Round plug connectors
Connection type	Insulation-piercing terminal connection
min. suitable cable Ø	2.5 mm
max. suitable cable Ø	5.1 mm
Connector standard	IEC 61076-2-104
Certificates	RoHS
Min. ambient temperature	-40 °C
Max. ambient temperature	85 °C
Max. current	4 A
Number of wires	4
Protection class	IP67
Operational voltage	48 V AC/DC
Electrical connection 1, type	Socket

Electrical connection 1, thread size	M8x1
Electrical connection 1, number of poles	4-pin
Cable exit	straight

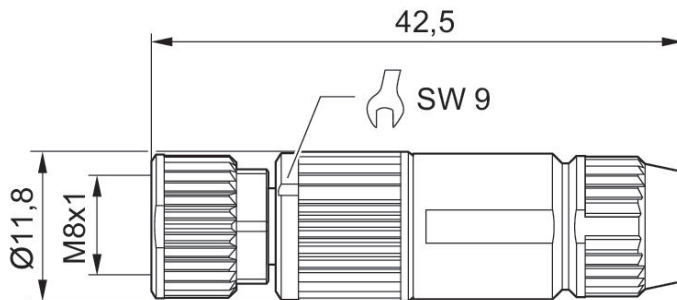
## Material

Housing material	Die cast zinc
Part No.	R412026791

## Technical information

The specified protection class is only valid in assembled and tested state.

## Dimensions in mm



## Pin assignment, socket

