

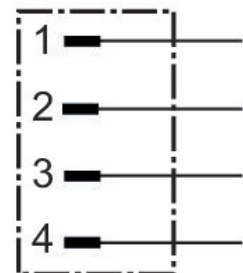
Round plug connector, Series CON-RD

R412026789

General series information

AVENTICS Series CON-RD Round plug connectors

- The AVENTICS Series CON-RD offers round plug connectors for self assembly, as well as terminating plug for fieldbus , adaptors and y-connectors as well as IP protection caps.



Technical data

Industry	Industrial
Type	Round plug connectors
Connection type	Insulation-piercing terminal connection
min. suitable cable Ø	2.5 mm
max. suitable cable Ø	5.1 mm
Connector standard	IEC 61076-2-104
Certificates	RoHS
Min. ambient temperature	-40 °C
Max. ambient temperature	85 °C
Max. current	4 A
Number of wires	4
Protection class	IP67

Operational voltage	48 V AC/DC
Electrical connection 1, type	Plug
Electrical connection 1, thread size	M8x1
Electrical connection 1, number of poles	4-pin
Cable exit	straight

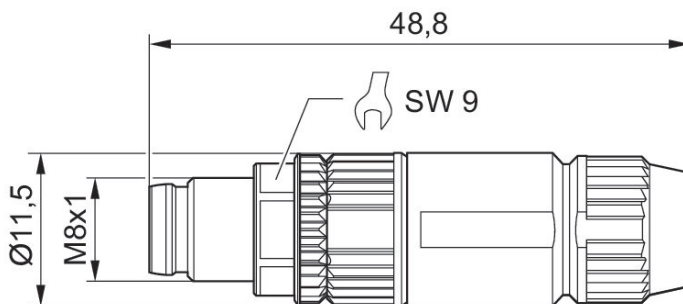
Material

Housing material	Die cast zinc
Part No.	R412026789

Technical information

The specified protection class is only valid in assembled and tested state.

Dimensions in mm



Plug pin assignment

