

# Round plug connectors with cable, Series CON-RD

CON-RD

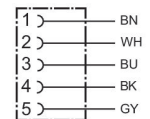
2023-12-05

R412026784

- Round plug connectors with connected cable
- M8x1, M12x1, M23, 7/8"
- Y cable

## AVENTICS Series CON-RD Round plug connectors with cable

The AVENTICS Series CON-RD-with cable offers cables with round plug connectors for various types like M8x1, M12x1 or 7/8-16UNC and different cable length, optimized for our focused valves with M8x1 or M12x1 connection and electronic systems like AES and G3.



## Technical data

Industry	Industrial
Type	Round plug connectors
Operational voltage	48 V AC/DC
Max. operating voltage AC	48 V DC
Max. operating voltage DC	48 V AC
Electrical connection 1, type	Socket
Electrical connection 1, thread size	M12x1
Electrical connection 1, number of poles	5-pin
Electrical connection 1, coding	A-coded
Cable exit 1	straight
Electrical connection 2, type	open cable ends
Shielding	shielded
Cable length	10 m
suitable for dynamic laying	suitable for dynamic laying
Min. bending radius	56 mm
Certificates	RoHS UL (Underwriters Laboratories)
Protection class	IP65 IP67 IP68

# Round plug connectors with cable, Series CON-RD

CON-RD

2023-12-05

R412026784

Min. ambient temperature -30 °C

Max. ambient temperature 90 °C

Connector standard EN 61076-2-101

Max. current 4 A

Wire cross-section 0.34 mm<sup>2</sup>

Cable-Ø 5.6 mm

Delivery unit 1 piece

## Material

Housing material Thermoplastic polyurethane (TPU)

Seal material Fluorocautchouc

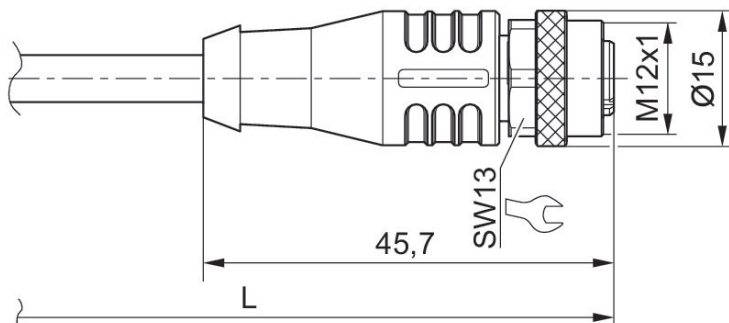
Material cable sheath Polyurethane

Part No. R412026784

## Technical information

The specified protection class is only valid in assembled and tested state.

## Dimensions in mm



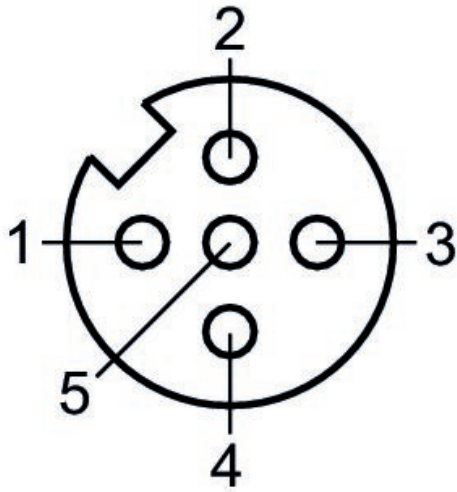
L = cable length

# Round plug connectors with cable, Series CON-RD

CON-RD  
2023-12-05

R412026784  
Pin assignment, socket

---



---

(1) BN=brown (2) WH=white (3) BU=blue (4) BK=black (5) GY=grey