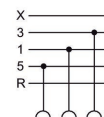
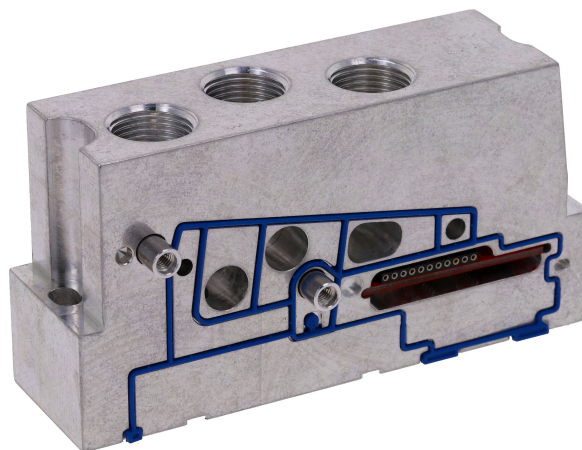


Extension kit, supply plate

R412026442

AV05

2024-08-13



Technical data

Industry

Industrial

Type

Supply plate, connection 1, 3, 5, no pressure zones

Min. working pressure

-0.09 bar

Max. working pressure

10 bar

Min. ambient temperature

-10 °C

Max. ambient temperature

60 °C

Medium

Compressed air

Scope of delivery

Supply plate (2) incl. 1 seal (1),
2 tie rod extensions (3)
and 2 extension circuit boards (4)

Weight

0.45 kg

Material

Seal material

Acrylonitrile butadiene rubber

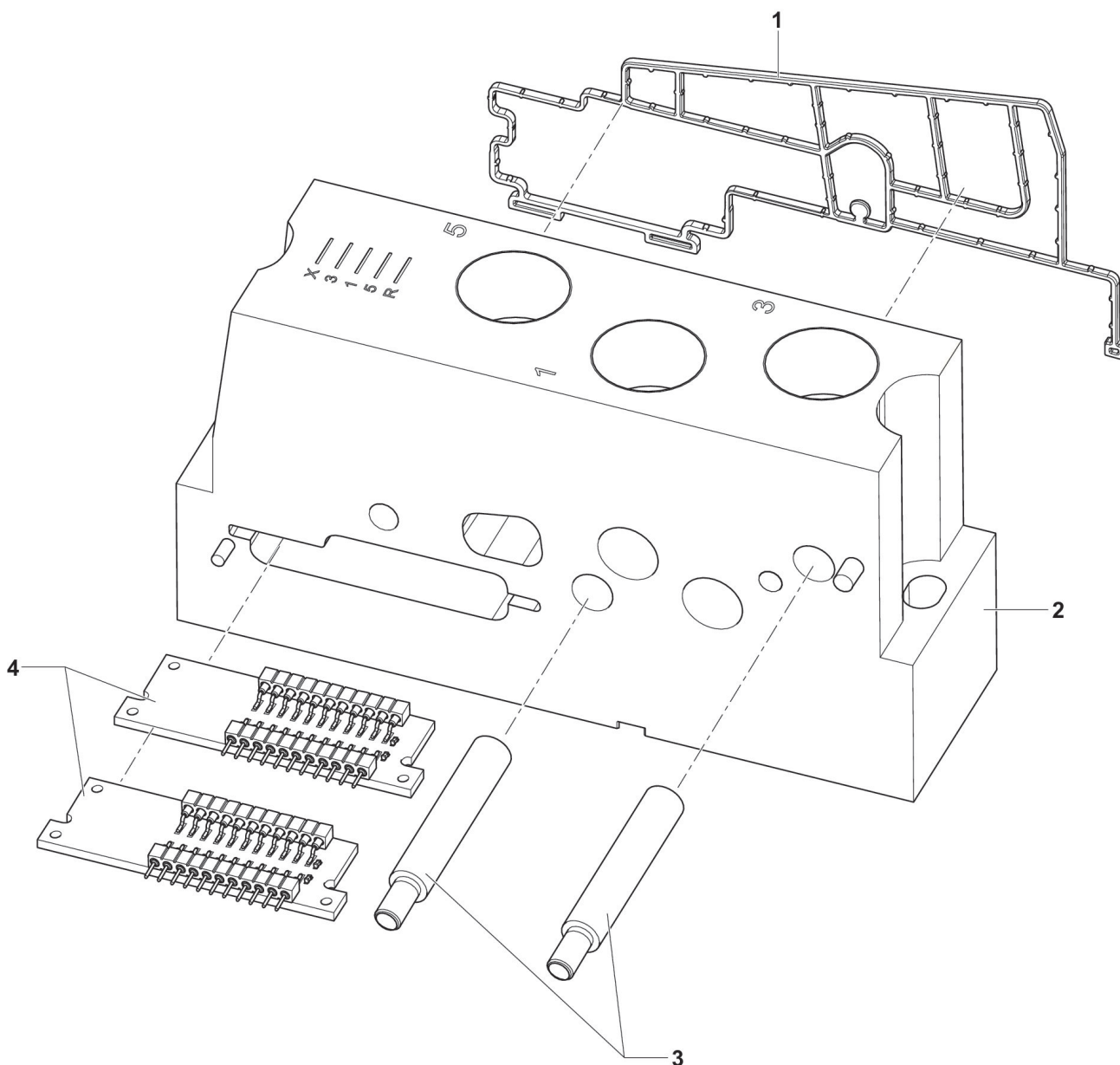
Part No.

R412026442

Technical information

The top and bottom connections of the AV-BP supply plates are connected internally. Make sure the top and bottom connections on the supply plates are connected, and that unused connections are sealed.

Dimensions



- 1) Seal
- 2) Housing
- 3) Tie rod extension, 2 piece
- 5) Extension circuit board