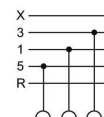
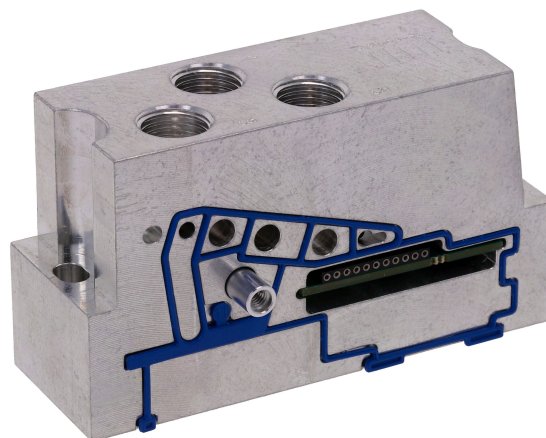


Extension kit, supply plate

2024-06-18

R412026434



Technical data

Industry

Industrial

Type

Supply plate, connection 1, 3, 5, no pressure zones

Min. working pressure

-0.95 bar

Max. working pressure

10 bar

Min. ambient temperature

-10 °C

Max. ambient temperature

60 °C

Medium

Compressed air

Scope of delivery

Supply plate (2) incl. 1 seal (1),
1 tie rod extension (3)
and 2 extension circuit boards (4)

Material

Housing material

Aluminum

Seal material

Acrylonitrile butadiene rubber

Part No.

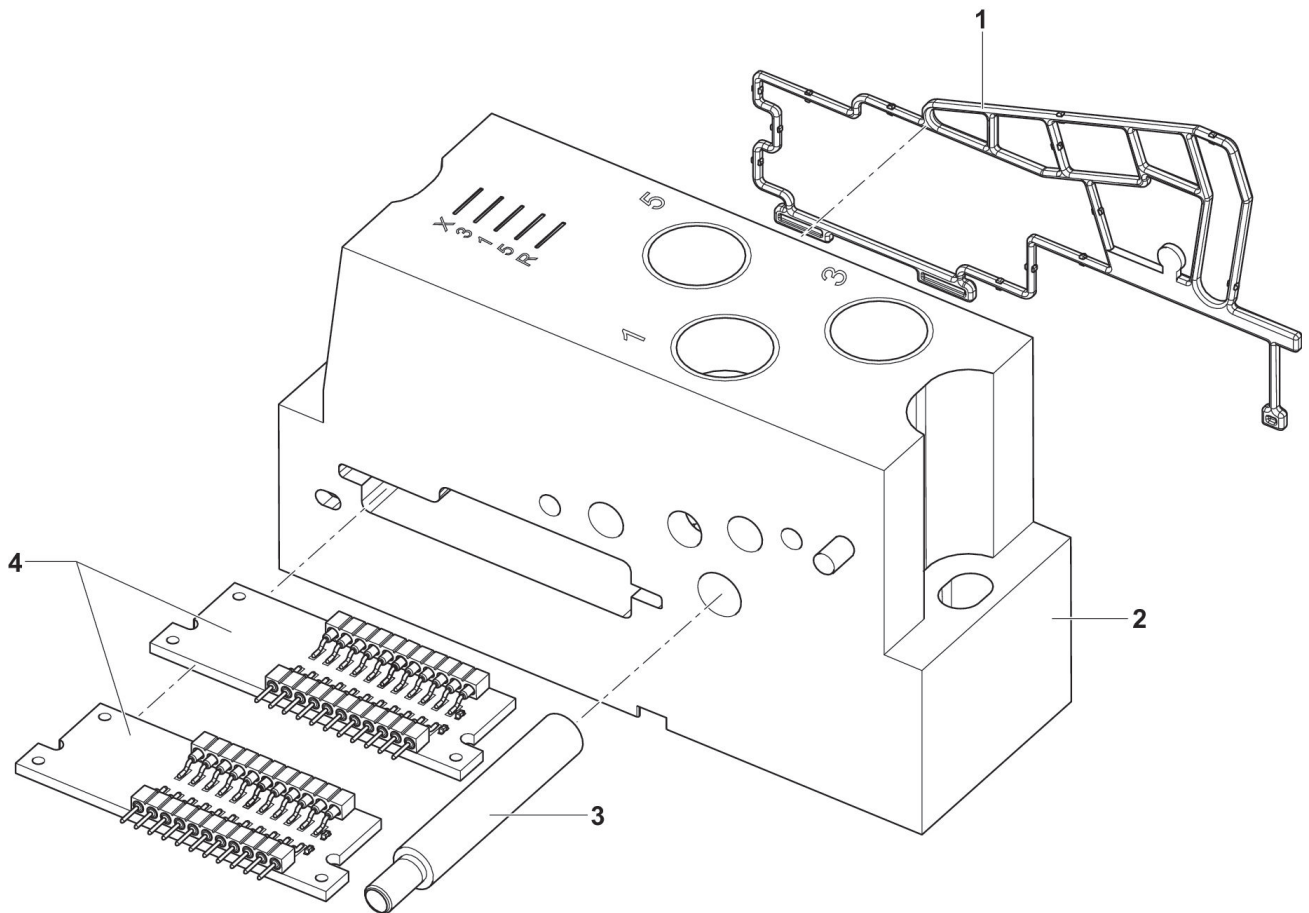
R412026434

Extension kit, supply plate

2024-06-18

R412026434

Dimensions



- 1) Seal
- 2) Housing
- 3) Tie rod extension, 1 piece
- 4) Extension circuit board