

## AVENTICS Series CP2 Couplings

The AVENTICS Series CP2 of safety couplings for your pneumatic connections. Their two-stage actuation makes operation easy and even safer by preventing the dangerous bullwhip effect during decoupling. CP2 Series couplings are the ideal solution for every situation. They can be used in any mounting orientation, can be flexibly rotated by 360° even under pressure, are silicon-free, meet standards ISO 4414 and DIN EN 983, and are compliant with REACH and RoHs. With a high nominal flow of 1800 l/min, an operating pressure of 1 to 16 bar, and applications in a temperature range from -20° to +100°C, the CP2 couplings are ideal for virtually every pneumatic application.



## Technical data

Industry	Industrial
Port G	G 3/8
Compressed air connection type	External thread
Nominal width NW	7.4 mm
Nominal flow Qn	1800 l/min
Min. working pressure	0 bar
Max. working pressure	16 bar
Min. ambient temperature	-20 °C
Max. ambient temperature	100 °C
Min. medium temperature	-20 °C
Max. medium temperature	100 °C
Medium	Compressed air Neutral gases
Delivery unit	1 piece
Weight per piece	0.124 kg
Housing material	Aluminum
Surface housing	anodized
Seal material	caoutchouc/butadiene caoutchouc
Material connector	Steel, chrome-plated
	R412026338

# Safety coupling, Series CP2

2024-02-20

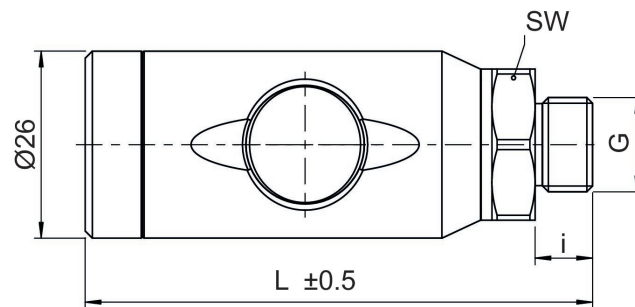
R412026338

## Technical information

Actuation: Push button

To account for wear we recommend plugs made of steel with EURO profile, nominal width 7.8.

## Dimensions



Part No.	Port G	Nominal width NW	L	i	SW
R412026337	G 1/4	7,4 mm	70.5	8	21
R412026338	G 3/8	7,4 mm	70.5	8	21
R412026339	G 1/2	7,4 mm	74.5	10	24