

Compensating coupling PM5, series CM2

R412026140

Flexible
couplings

2024-04-04

AVENTICS Flexible couplings



Technical data

Industry

Industrial

For series

to mount on cylinder PRA, TRB, CCL-IS/-IC, CCI, SSI, MNI, KPZ, KHZ, 167, CVI, RPC, RDC, ITS spherical

For series

CCL-IC

CCI

MNI

Thread size

M6x1

Weight

0.02 kg

Material

Housing material

Steel, chrome-plated

Surface housing

galvanized

Part No.

R412026140

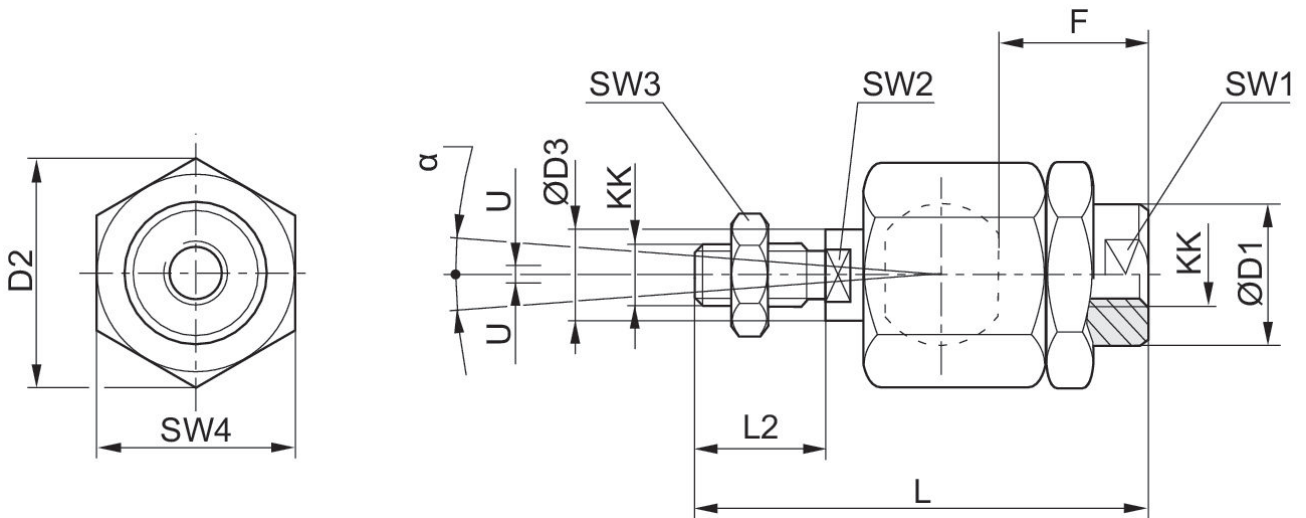
Compensating coupling PM5, series CM2

R412026140

Flexible couplings

2024-04-04

Dimensions



* Radial joint

Part No.	KK	Ø D1	D2	Ø D3	F	L ±2	L2	SW1	SW2
1826409008	M4	12	13.5	4	13	33	8	12	3.2
R412007860	M5	8.5	14.8	6	12	38.5	13.5	7	5
R412026140	M6x1	8.5	14.5	6	11	36.5	11	7	5
R412026141	M8x1.25	12.5	19	8	21	58	21	11	7
R412026142	M10x1.25	22	32	14	23	74.5	23	19	12
R412026143	M12x1.25	22	32	14	24	75	24	19	12
R412026144	M16x1.5	32	45	22	30	103	30	30	20
R412026145	M20x1.5	32	45	22	40	119	40	30	20
1826409006	M27x2	62	62	28	48	147	54	32	24
1826409007	M36x2	80	80	38	86	241	72	50	32
R412007729	M42x2	64	98	42	96	271	82	60	36

Part No.	SW3	SW4	U	α [°]	1)
1826409008	7	11	0,5	8	0.05-0.2
R412007860	8	13	0,5	8	0.05-0.2
R412026140	10	13	0,7	6	0.05-0.5
R412026141	13	17	0,7	8	0.05-0.5
R412026142	17	30	1	8	0.05-0.5
R412026143	19	30	1	7	0.05-0.5
R412026144	24	41	1	6	0.05-0.5
R412026145	30	41	1	6	0.05-0.5
1826409006	41	55	1	8	0.05-0.2
1826409007	55	75	1	8	0.05-0.2
R412007729	65	85	1	8	0.05-0.2

1) Axial play