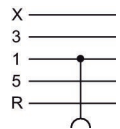


Extension kit, supply plate with switch-off voltage monitoring

R412025067

AV03

2024-08-13



Technical data

Industry	Industrial
Position	1
Type	Supply plate, connection 1, no pressure zones

Min. working pressure	-0.95 bar
Max. working pressure	10 bar
Min. ambient temperature	-10 °C
Max. ambient temperature	60 °C
Medium	Compressed air
Min. oil content of compressed air	0 mg/m ³
Max. oil content of compressed air	5 mg/m ³
Max. particle size	40 µm

Scope of delivery	Supply plate incl. 1 nut, 2 seals, 1 retaining clip, 1 screw, 1 tie rod extension, and 1 extension circuit board
-------------------	--

Material

Housing material	Polyamide
------------------	-----------

Extension kit, supply plate with switch-off voltage monitoring

AV03

2024-08-13

R412025067

Seal material

Nitrile rubber

Part No.

R412025067

Technical information

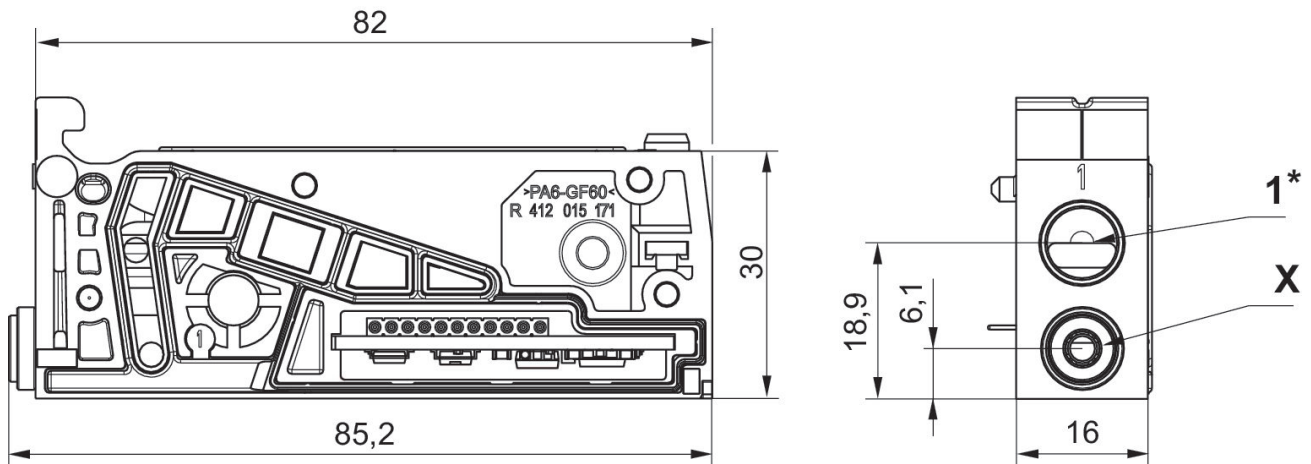
The supply plates with switch-off voltage monitoring are equipped with electronics that monitor if the voltage falls safely below the switch-off voltage threshold. The supply plate must be positioned to the left of the valves to be monitored.

The supply plates can only be used in conjunction with an AV valve system with fieldbus connection.

When using polyurethane tubing, we recommend using additional stiffener sleeves.

For push-in fittings, only use plug accessories made of plastic (polyamide) from our catalog.

Fig. 2



1) Push-in fittings not included in the scope of delivery.

X) Push-in connector Ø 4 mm, straight 5/32

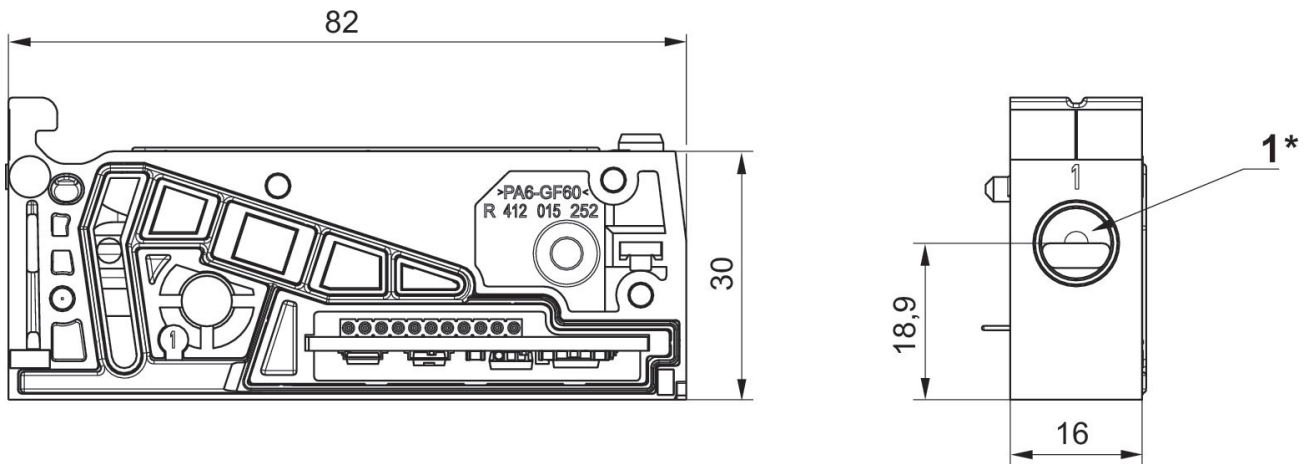
* For more information on push-in fittings, see the "Push-in fittings" page for the AV series in the catalog.

Extension kit, supply plate with switch-off voltage monitoring

AV03

2024-08-13

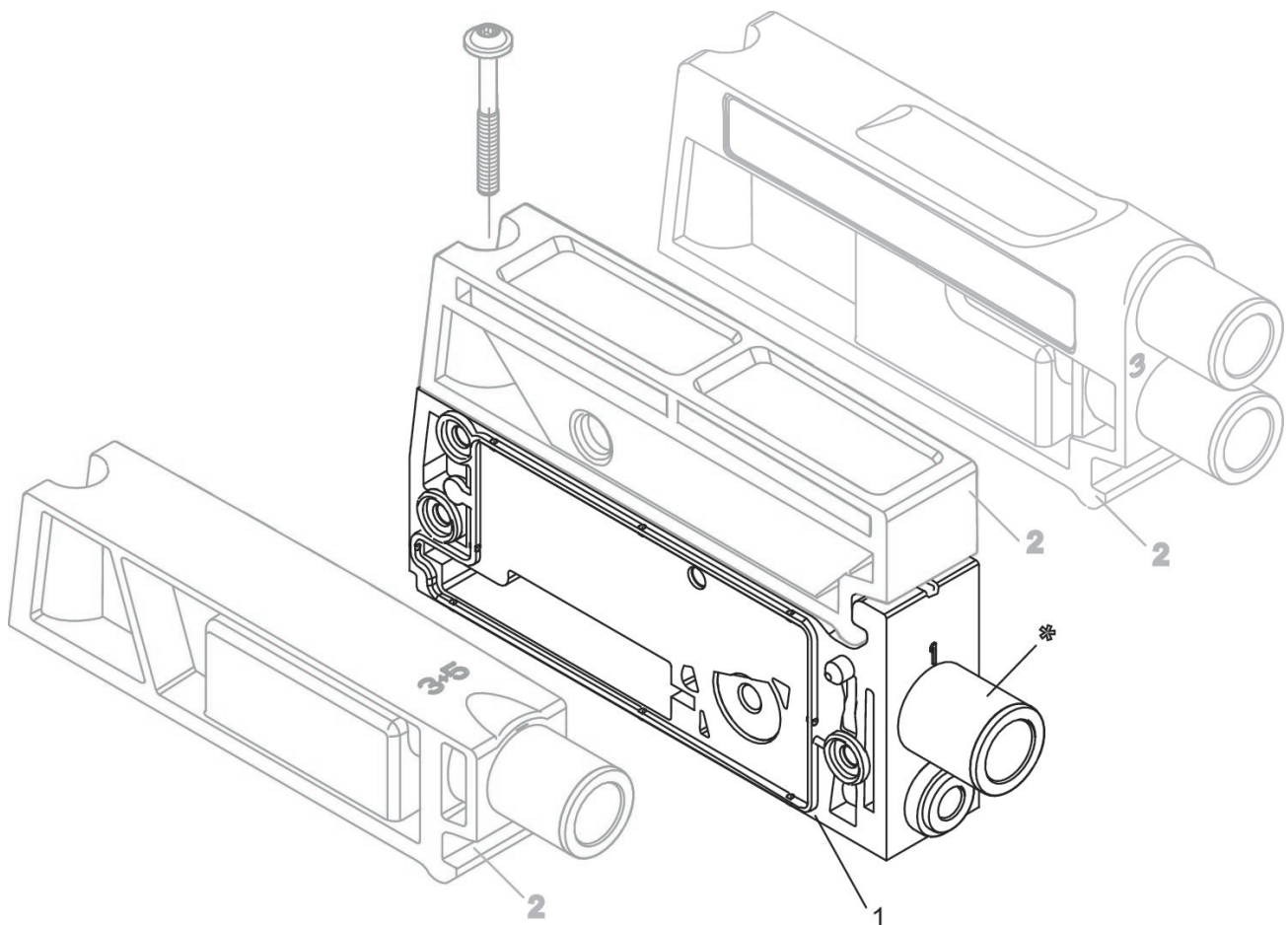
R412025067
Fig. 1



1) Push-in fittings not included in the scope of delivery.

* For more information on push-in fittings, see the "Push-in fittings" page for the AV series in the catalog.

Overview drawing



* Position 1: Push-in fittings not included in the scope of delivery.

* For more information on push-in fittings, see the "Push-in fittings" page for the AV series in the catalog.