

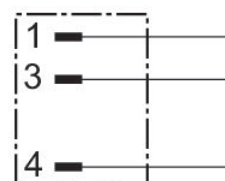
# Round plug connector, Series CON-RD

R412021677

## General series information

AVENTICS Series CON-RD Round plug connectors

- The AVENTICS Series CON-RD offers round plug connectors for self assembly, as well as terminating plug for fieldbus , adaptors and y-connectors as well as IP protection caps.



## Technical data

|                                      |                       |
|--------------------------------------|-----------------------|
| Industry                             | Industrial            |
| Type                                 | Round plug connectors |
| Connection type                      | Screws                |
| min. suitable cable Ø                | 3.5 mm                |
| max. suitable cable Ø                | 6 mm                  |
| Shielding                            | unshielded            |
| Min. ambient temperature             | -25 °C                |
| Max. ambient temperature             | 85 °C                 |
| Max. current                         | 4 A                   |
| Contact assignment                   | 3                     |
| Protection class                     | IP67                  |
| Operational voltage                  | 48 V AC/DC            |
| Electrical connection 1, type        | Plug                  |
| Electrical connection 1, thread size | M8x1                  |

|  |         |
|--|---------|
| Electrical connection 1, number of poles | 3-pin   |
| Electrical connection 1, coding          | A-coded |
| Cable exit                               | angled  |
| Cable exit angle                         | 90°     |
| Weight                                   | 0.01 kg |

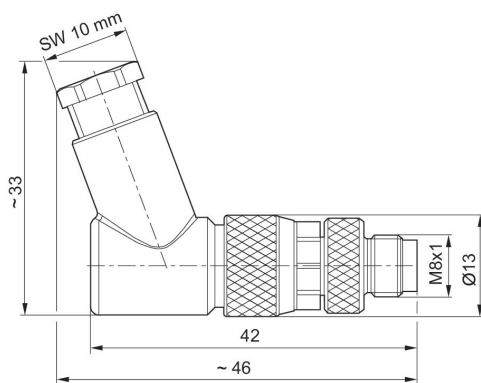
## Material

|                  |            |
|------------------|------------|
| Housing material | Polyamide  |
| Part No.         | R412021677 |

## Technical information

The specified protection class is only valid in assembled and tested state.

## Dimensions



## Plug pin assignment

