

## Technical data

Industry

Industrial

Type

Base plate 2x for double solenoid valves for multipole plug

Min. working pressure

-0.95 bar

Max. working pressure

10 bar

Min. ambient temperature

-10 °C

Max. ambient temperature

60 °C

Medium

Compressed air

Scope of delivery

Base plate (1), incl. 2 nuts (2), 2 labels (3), 1 seal (4), 1 retaining clip (5), 2 tie rod extensions (6), and 1 extension circuit board (7)

## Material

Housing material

Polyamide fiber-glass reinforced

Seal material

Nitrile rubber

Part No.

R412020065

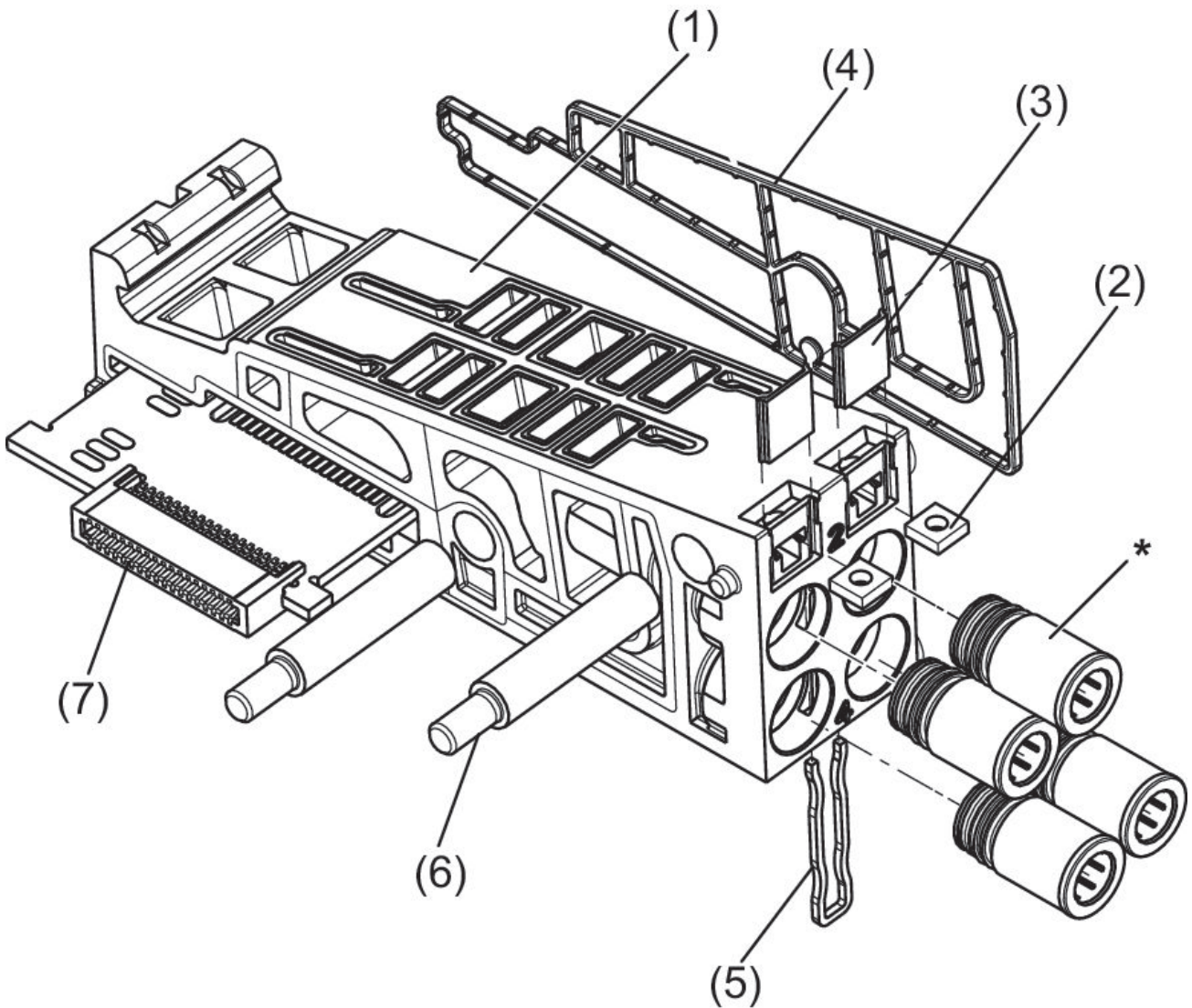
## Technical information

When using polyurethane tubing, we recommend using additional stiffener sleeves.

For push-in fittings, only use plug accessories made of plastic (polyamide) from our catalog.

After three I/O modules or 8 valves, mount a retaining bracket (R412018339) to fasten the entire unit to the mounting surface.

## Overview drawing



Push-in fittings not included in the scope of delivery.

\* For more information on push-in fittings, see the "Push-in fittings" page for the AV series in the catalog.