

Short-stroke cylinder, Series SSI

R412019807

General series information
AVENTICS Series SSI Short-stroke cylinders
(ISO 15524)

- The AVENTICS Series SSI are short stroke cylinders in accordance with the latest ISO standard 15524. The cylinders are compact and up to 30% lighter than comparable cylinders thanks to weight optimized profiles. In addition, they provide a high degree of flexibility in sensor assembly and extremely effective elastic cushioning.



Technical data

| | |
|--|---------------------------|
| Industry | Industrial |
| Standards | ISO 15524 |
| Piston Ø | 12 mm |
| Stroke | 50 mm |
| Ports | M5 |
| Functional principle | Double-acting |
| Cushioning | Elastic cushioning |
| Magnetic piston | Piston with magnet |
| Environmental requirements | Industry standard |
| Piston rod | single |
| Scraper | Standard Industry Scraper |
| Pressure for determining piston forces | 6,3 bar |
| Retracting piston force | 53 N |
| Extracting piston force | 71 N |
| Min. ambient temperature | -20 °C |

| | |
|------------------------------------|---------------------|
| Max. ambient temperature | 80 °C |
| Working pressure min. | 1 bar |
| Working pressure max | 10 bar |
| Piston rod thread | M3 |
| Impact energy | 0.03 J |
| Weight 0 mm stroke | 0.04 kg |
| Weight +10 mm stroke | 0.012 kg |
| Stroke max. | 75 mm |
| Medium | Compressed air |
| Min. medium temperature | -20 °C |
| Max. medium temperature | 80 °C |
| Max. particle size | 50 µm |
| Oil content of compressed air min. | 0 mg/m ³ |
| Oil content of compressed air max. | 5 mg/m ³ |

Material

| | |
|-----------------------|--------------------------|
| Piston rod | Stainless Steel |
| Scraper material | Nitrile butadiene rubber |
| Seal material | Nitrile butadiene rubber |
| Material, front cover | Brass |
| Cylinder tube | Aluminum |
| End cover | Aluminum |
| Part No. | R412019807 |

Technical information

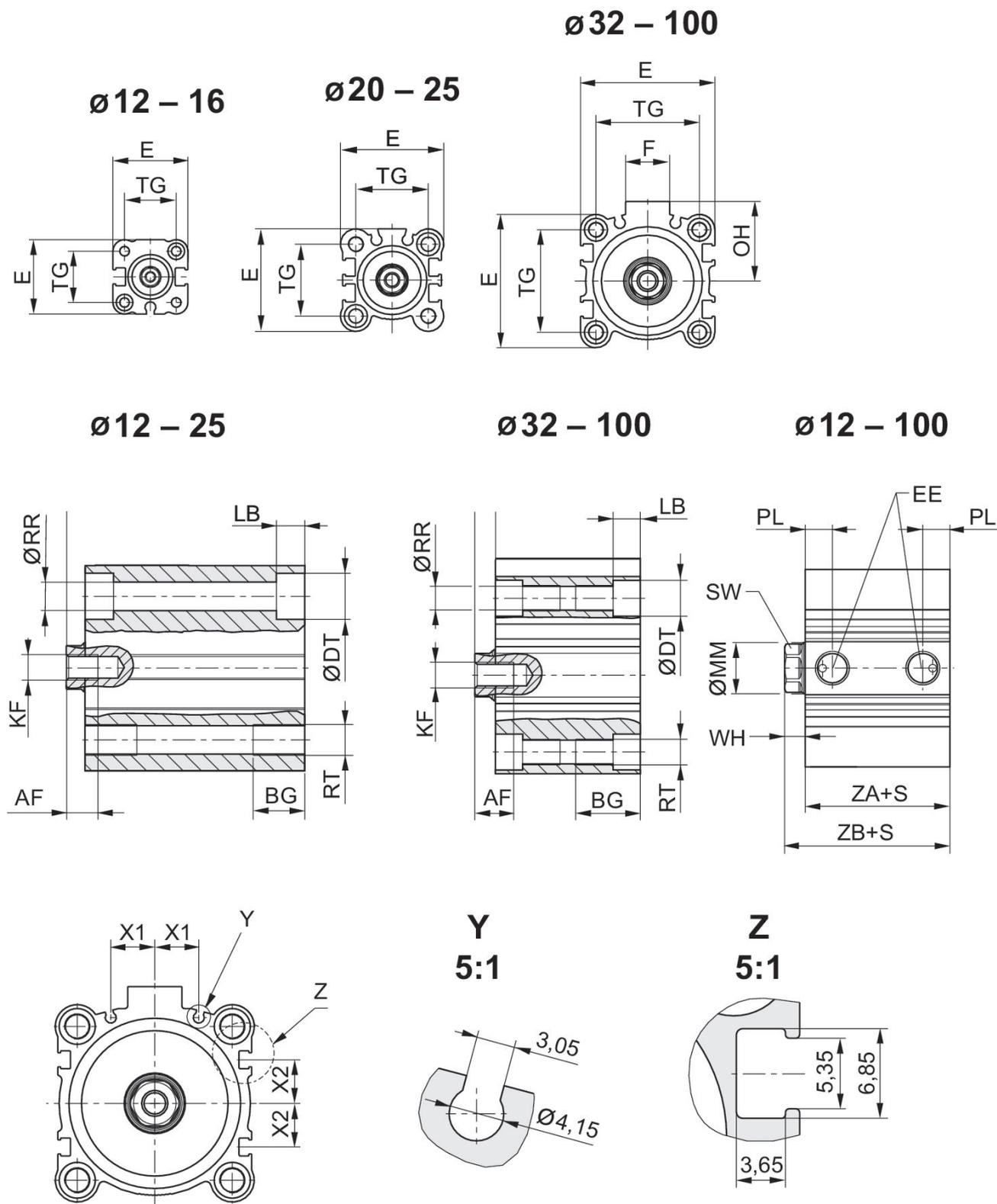
Use our Internet configurator to order variants with an external thread.

The pressure dew point must be at least 15 °C less than ambient and medium temperature and may not exceed 3 °C.

The oil content of compressed air must remain constant during the life cycle.

Use only the approved oils from AVENTICS. Further information can be found in the “Technical information” document (available in <https://www.emerson.com/en-us/support>).

Dimensions



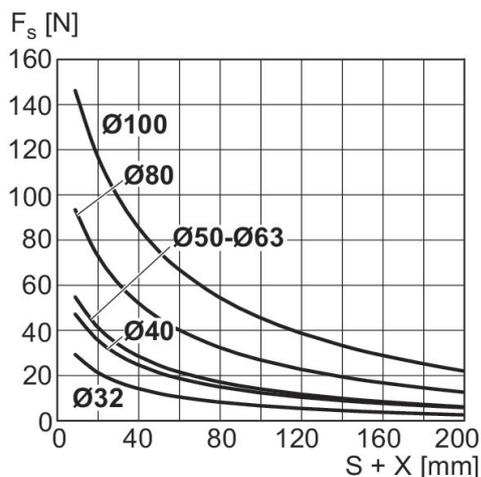
S = stroke

| Piston Ø | AF | BG | ØDT | E | EE | F | KF | LB max. | ØMM f8 |
|----------|----|----|------|-----|-------|----|-----|---------|--------|
| 12 | 6 | 7 | 6.5 | 25 | M5 | - | M3 | 3.5 | 6 |
| 16 | 8 | 7 | 6.5 | 29 | M5 | - | M4 | 3.5 | 8 |
| 20 | 7 | 10 | 9 | 36 | M5 | - | M5 | 5.5 | 10 |
| 25 | 12 | 10 | 9 | 40 | M5 | - | M6 | 5.5 | 12 |
| 32 | 13 | 16 | 9 | 45 | G 1/8 | 17 | M8 | 5.5 | 16 |
| 40 | 13 | 16 | 9 | 52 | G 1/8 | 17 | M8 | 5.5 | 16 |
| 50 | 15 | 20 | 11 | 64 | G 1/4 | 21 | M10 | 8 | 20 |
| 63 | 15 | 25 | 14 | 77 | G 1/4 | 21 | M10 | 10.5 | 20 |
| 80 | 21 | 30 | 17.5 | 98 | G 3/8 | 26 | M16 | 13.5 | 25 |
| 100 | 27 | 30 | 17.5 | 117 | G 3/8 | 26 | M20 | 13.5 | 32 |

| Piston Ø | OH | PL | ØRR | RT | SW | TG | WH | X1 | X2 |
|----------|------|------|------|-----|----|-----------|----------|------|-----|
| 12 | - | 5.5 | 3.7 | M4 | 5 | 15,5 ±0,3 | 3,5 ±1,5 | 0 | 0 |
| 16 | - | 5.5 | 3.7 | M4 | 7 | 20 ±0,3 | 3,5 ±1,5 | 0 | 0 |
| 20 | - | 5.5 | 5.55 | M6 | 8 | 25,5 ±0,3 | 4,5 ±1,5 | 5.7 | 4.3 |
| 25 | - | 5.5 | 5.55 | M6 | 10 | 28 ±0,3 | 5 ±1,5 | 6 | 5 |
| 32 | 27 | 7.5 | 5.55 | M6 | 13 | 34 ±0,3 | 7 ±2 | 8.5 | 7.5 |
| 40 | 31 | 7.5 | 5.55 | M6 | 13 | 40 ±0,3 | 7 ±2 | 10.8 | 11 |
| 50 | 39 | 10.5 | 7.4 | M8 | 17 | 50 ±0,5 | 8 ±2 | 14 | 13 |
| 63 | 45.5 | 10.5 | 9.3 | M10 | 17 | 60 ±0,5 | 8 ±2 | 17 | 17 |
| 80 | 59 | 12.5 | 11.2 | M12 | 22 | 77 ±0,5 | 10 ±2 | 23.5 | 21 |
| 100 | 65 | 14 | 11.2 | M12 | 27 | 94 ±0,5 | 12 ±2,5 | 31 | 28 |

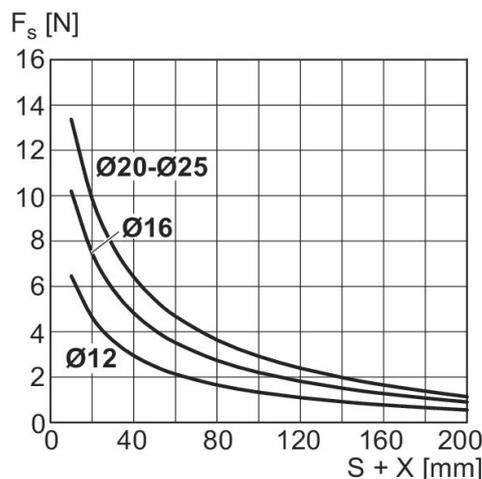
| Piston Ø | ZA±0,2 | ZB±2 |
|----------|--------|------|
| 12 | 28 | 31.5 |
| 16 | 30.5 | 34 |
| 20 | 31.5 | 36 |
| 25 | 32.5 | 37.5 |
| 32 | 33 | 40 |
| 40 | 39.5 | 46.5 |
| 50 | 40.5 | 48.5 |
| 63 | 46 | 54 |
| 80 | 53.5 | 63.5 |
| 100 | 63 | 75 |

Maximum admissible lateral force Ø 32 ... 100 mm



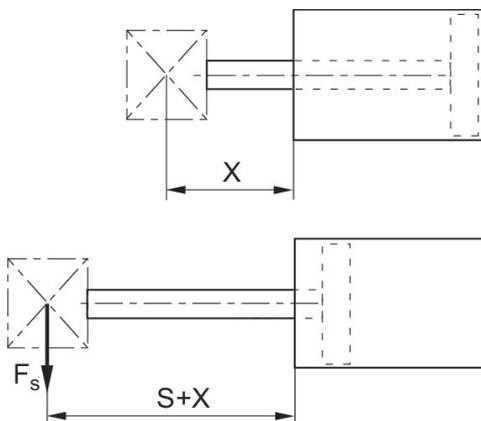
X = distance between force application point and cylinder cover
FS = lateral force
S = stroke

Maximum admissible lateral force Ø 12 ... 25 mm



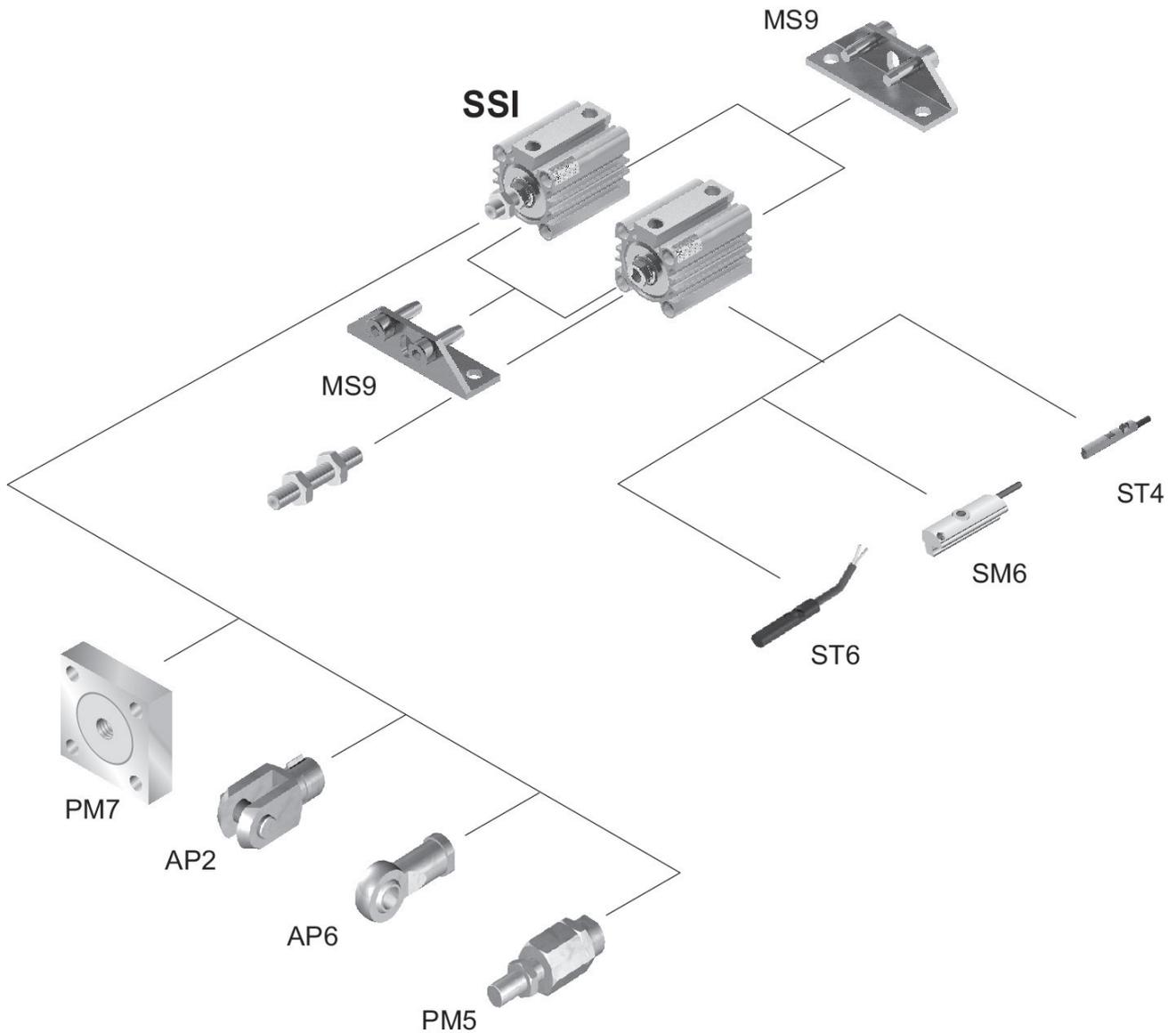
X = distance between force application point and cylinder cover
FS = lateral force
S = stroke

Maximum admissible lateral force Ø 12 ... 25 mm



X = distance between force application point and cylinder cover
FS = lateral force
S = stroke

Overview drawing



Use our Internet configurator to order variants with an external thread.

NOTE: This overview drawing is only for orientation to indicate where the various accessory parts can be fastened to the cylinder. The illustration has been simplified for this purpose. It is thus not possible to derive the dimensions from this overview.