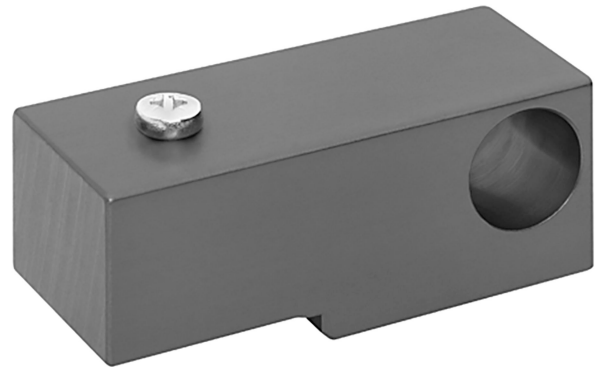


Series AS1



Technical data

Industry

Housing material

Industrial

Aluminum

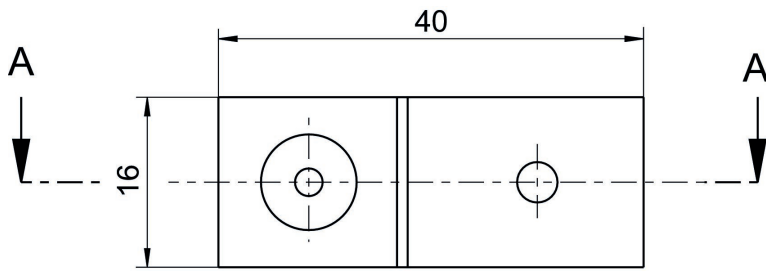
R412019278

Mounting aid

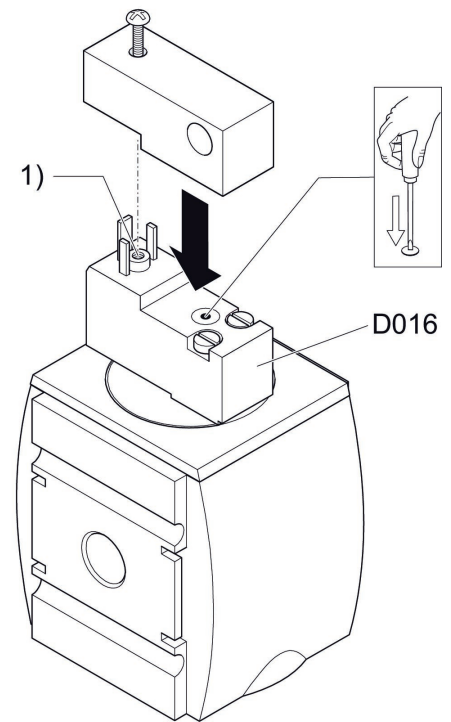
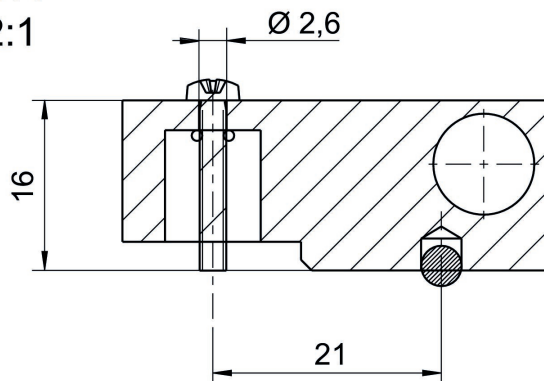
2024-08-07

R412019278

Dimensions in mm



A-A
2:1



1) ISO 15217, form C