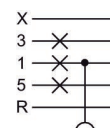


Extension kit, supply plate, center

2024-06-18

R412018613



Technical data

Industry	Industrial
Position	1
Type	Supply plate, connection 1, separate pressure zones in channels 1/3/5

Min. working pressure	-0.95 bar
Max. working pressure	10 bar
Min. ambient temperature	-10 °C
Max. ambient temperature	60 °C
Medium	Compressed air

Scope of delivery	Supply plate incl. 1 nut, 2 seals, 1 retaining clip, 1 screw, 1 tie rod extension, and 1 extension circuit board
-------------------	--

Material

Housing material	Polyamide
Seal material	Nitrile rubber
Part No.	R412018613

Technical information

When using polyurethane tubing, we recommend using additional stiffener sleeves.

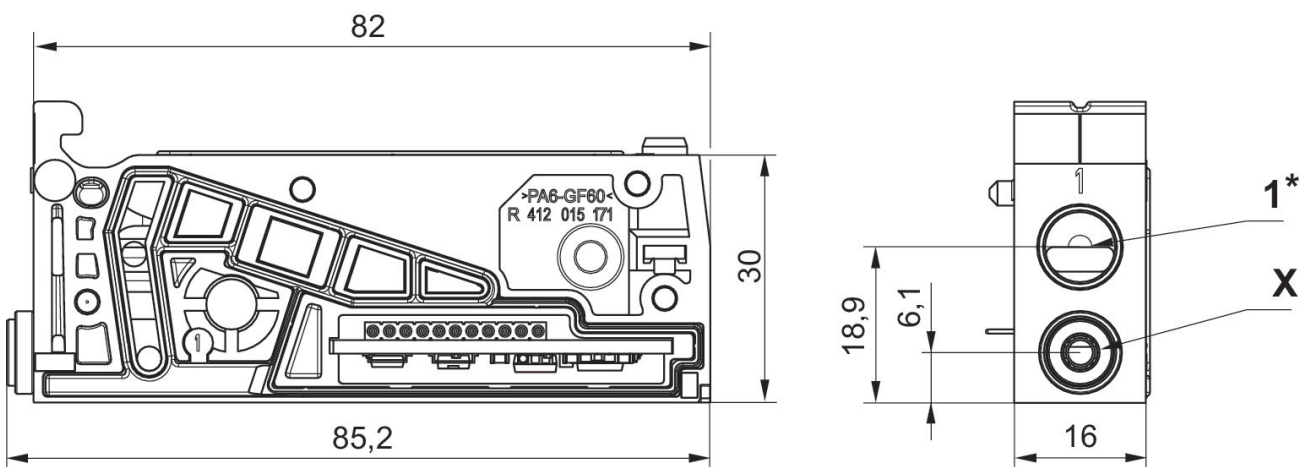
For push-in fittings, only use plug accessories made of plastic (polyamide) from our catalog.

The exhaust module (item 2) is not included in the scope of delivery for the supply plate (item 1).

You must order the exhaust modules separately.

Position 1: Push-in fittings not included in the scope of delivery.

Fig. 2

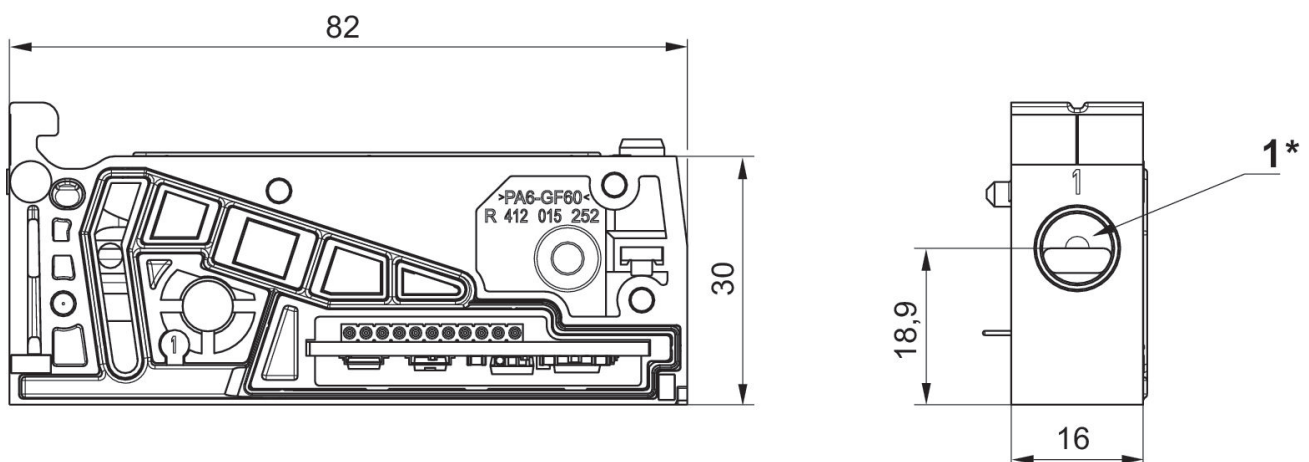


1) Push-in fittings not included in the scope of delivery.

X) Push-in connector Ø 4 mm, straight 5/32

* For more information on push-in fittings, see the "Push-in fittings" page for the AV series in the catalog.

Fig. 1



1) Push-in fittings not included in the scope of delivery.

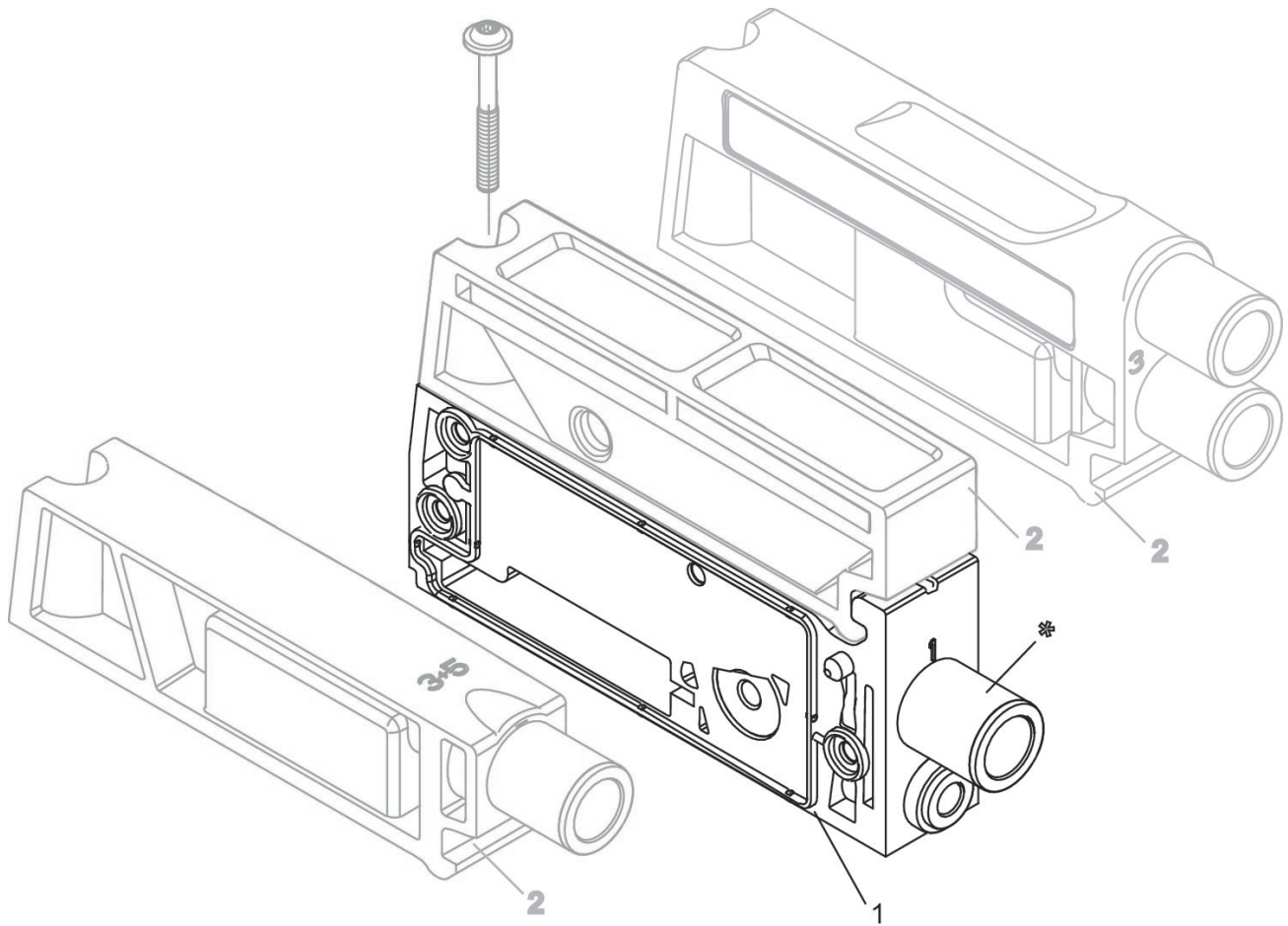
* For more information on push-in fittings, see the "Push-in fittings" page for the AV series in the catalog.

Extension kit, supply plate, center

2024-06-18

R412018613

Overview drawing



* Position 1: Push-in fittings not included in the scope of delivery.

* For more information on push-in fittings, see the "Push-in fittings" page for the AV series in the catalog.