

Technical data

Industry

Industrial

Type

Base plate 3x for double solenoid valves for multipole plug

Min. working pressure

-0.95 bar

Max. working pressure

10 bar

Min. ambient temperature

-10 °C

Max. ambient temperature

60 °C

Medium

Compressed air

Scope of delivery

Base plate (1), incl. 3 nuts (2), 3 labels (3), 1 seal (4), 2 retaining clips (5), 1 tie rod extensions (6), and 1 extension circuit board (7)

Material

Housing material

Polyamide

Seal material

Nitrile rubber

Part No.

R412018379

Technical information

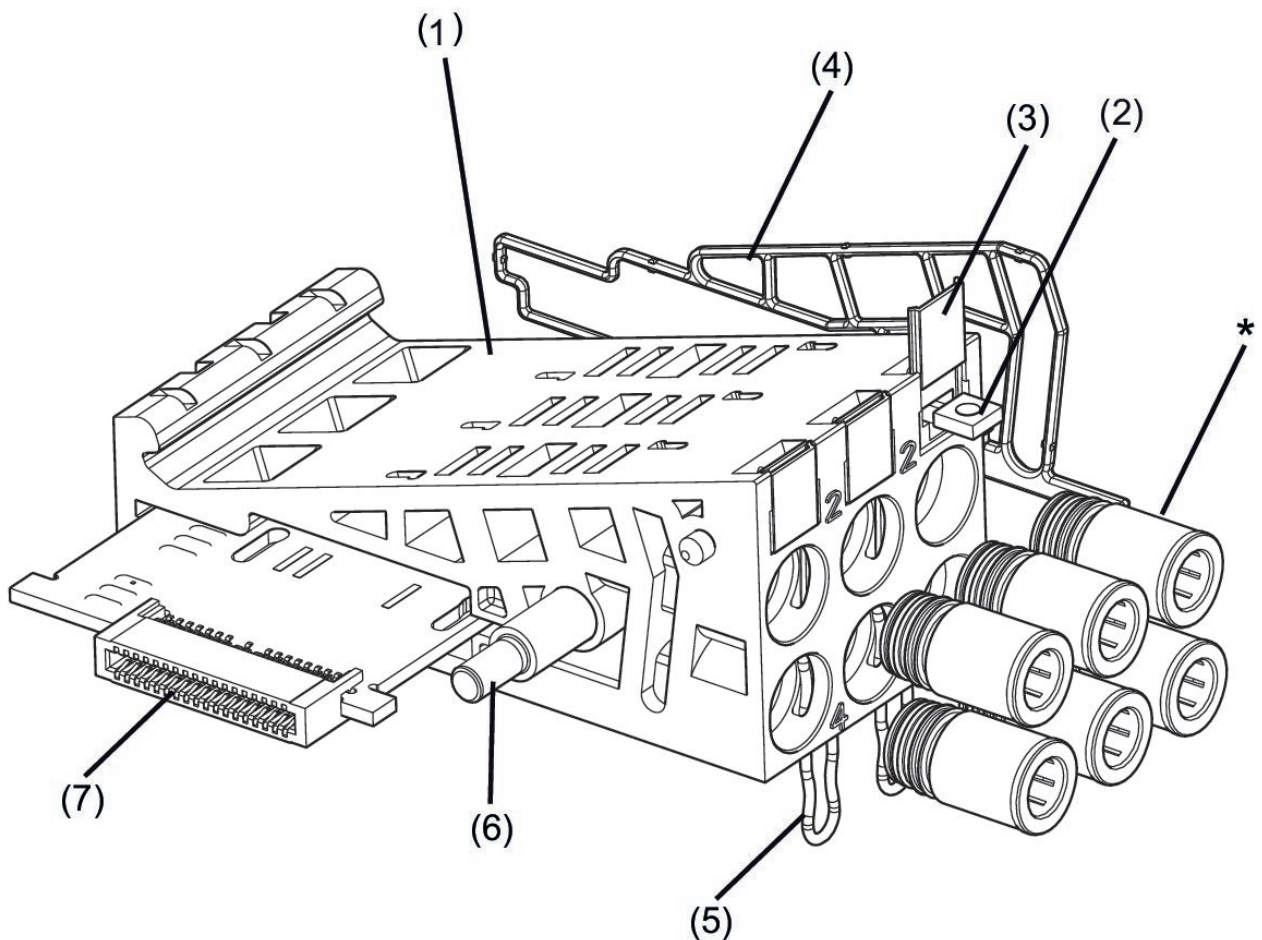
When using polyurethane tubing, we recommend using additional stiffener sleeves.

For push-in fittings, only use plug accessories made of plastic (polyamide) from our catalog.

After three I/O modules or 8 valves, mount a retaining bracket (R412018339) to fasten the entire unit to the mounting surface.

Overview drawing

Fig. 1



* Push-in fittings not included in the scope of delivery.

* For more information on push-in fittings, see the "Push-in fittings" page for the AV series in the catalog.

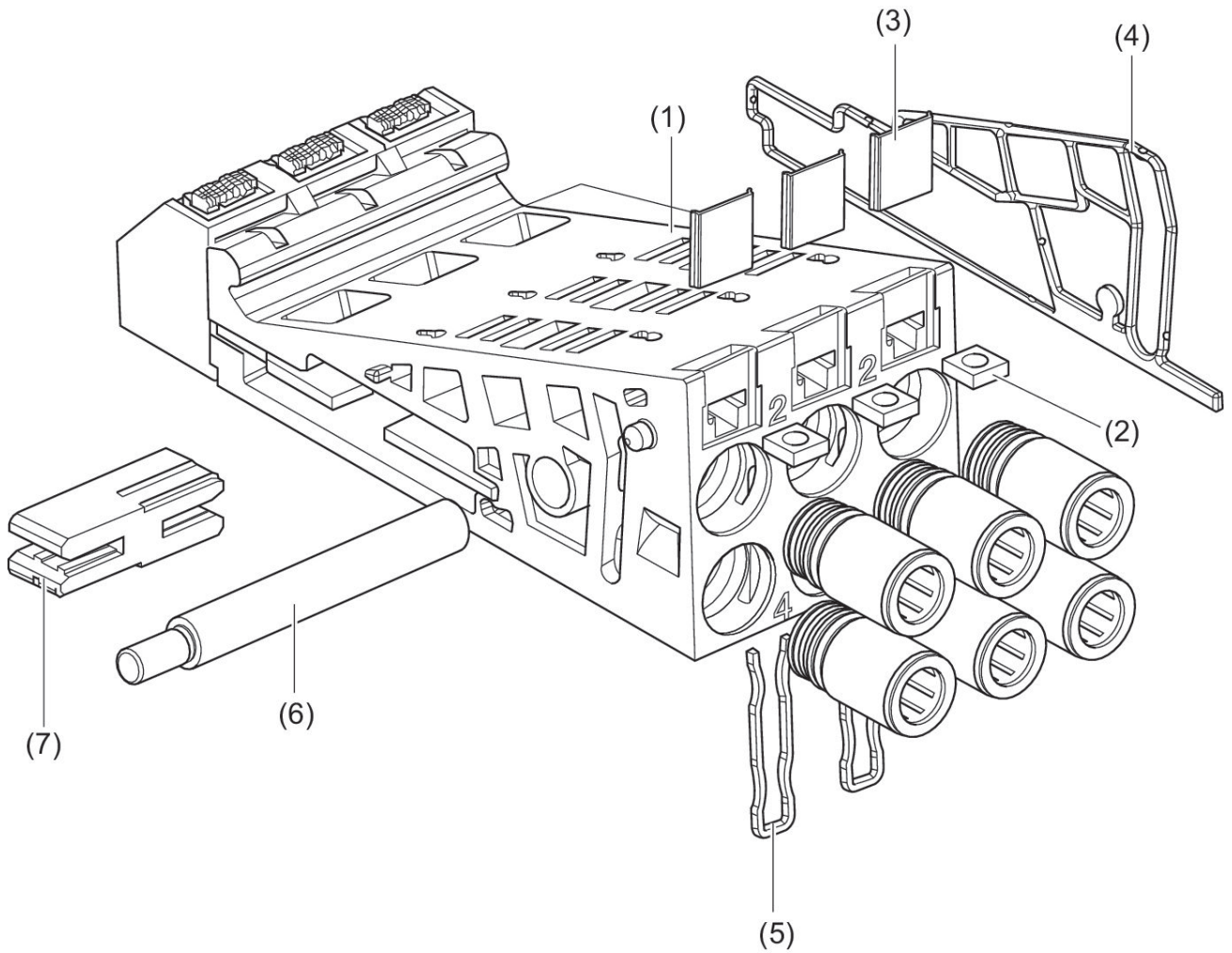
Overview drawing

Extension kit for base plate 3x

2024-06-18

R412018379

Fig. 3



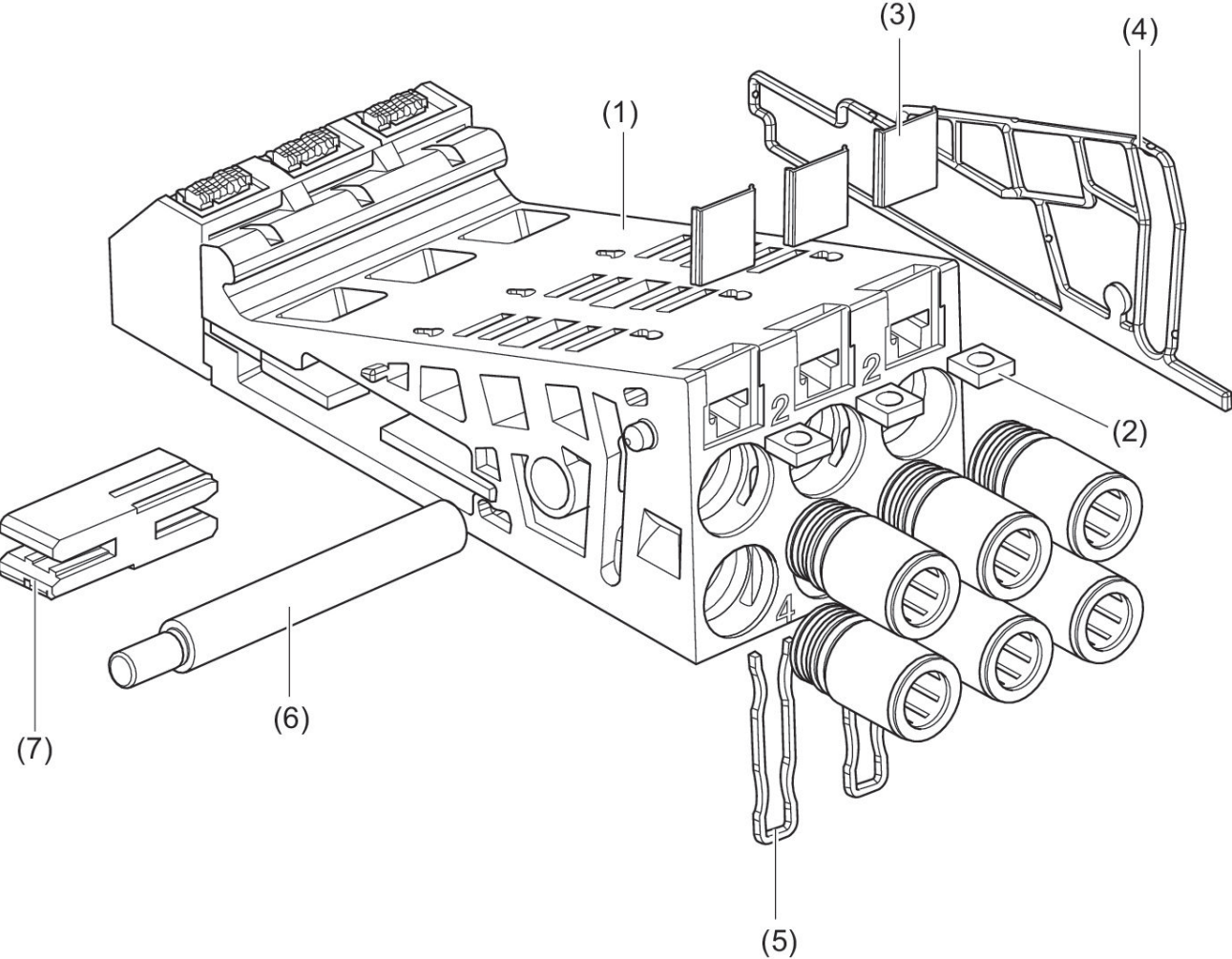
Overview drawing

Extension kit for base plate 3x

2024-06-18

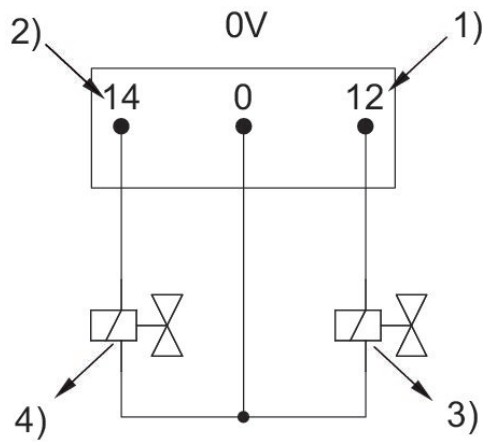
R412018379

Fig. 2



Pin assignments

AV03-SW



-
- 1) Signal 12
 - 2) Signal 14
 - 3) Coil 12
 - 4) Coil 14