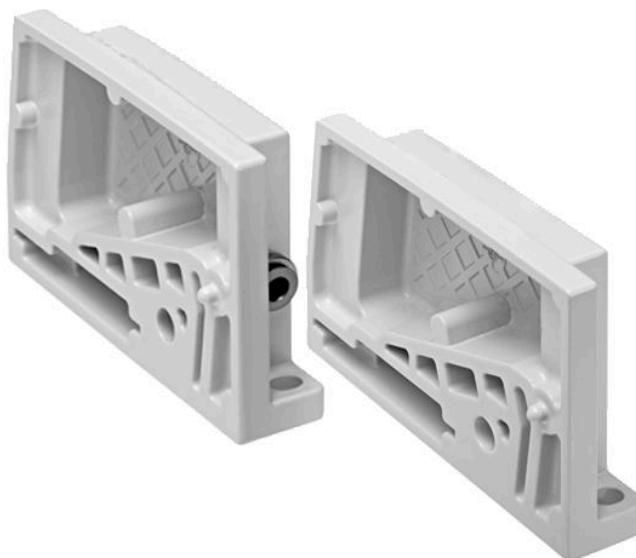


# End plate right

R412018349

2024-08-07



## Technical data

Industry	Industrial
Type	End plate
For series	AV03
Compressed air connection 12	Ø 4

Delivery unit	1 piece
Min. ambient temperature	-10 °C
Max. ambient temperature	50 °C
Min. medium temperature	-10 °C
Max. medium temperature	50 °C

Weight	0.08 kg
--------	---------

## Material

Housing material	Aluminum
Screws material	Steel, chrome-plated
Part No.	R412018349

## Technical information

When using polyurethane tubing, we recommend using additional stiffener sleeves.

For push-in fittings, only use plug accessories made of plastic (polyamide) from our catalog.

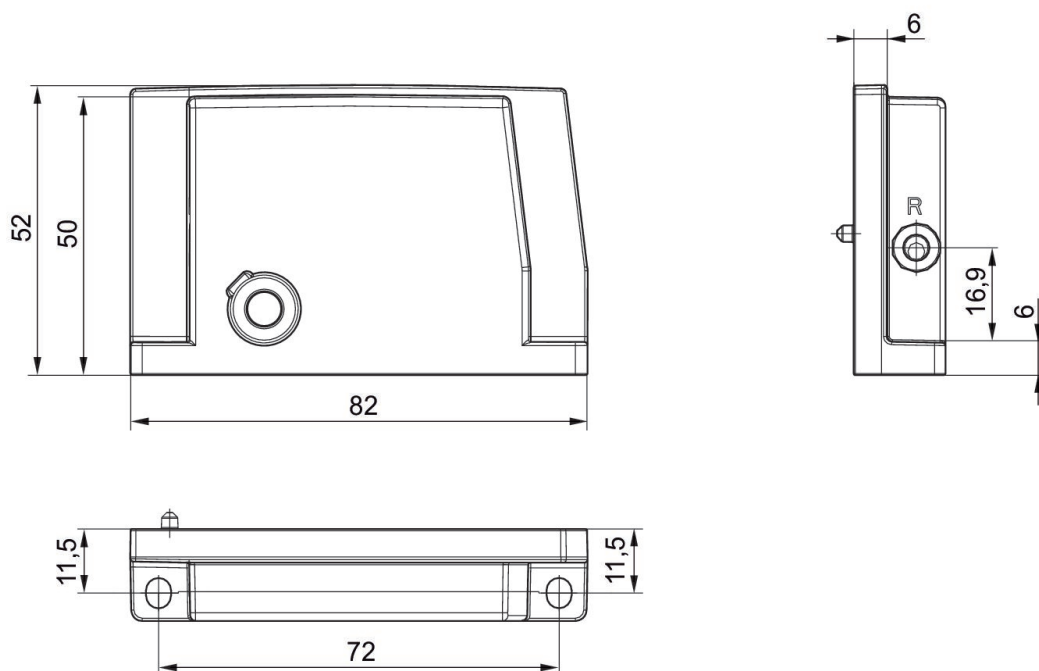
The min. control pressure must be adhered to, since otherwise faulty switching and valve failure may result!

The pressure dew point must be at least 15 °C less than ambient and medium temperature and may not exceed 3 °C.

The oil content of compressed air must remain constant during the life cycle.

Use only the approved oils from AVENTICS. Further information can be found in the “Technical information” document (available in <https://www.emerson.com/en-us/support>).

Fig. 1



# End plate right

2024-08-07

R412018349

Fig. 2

