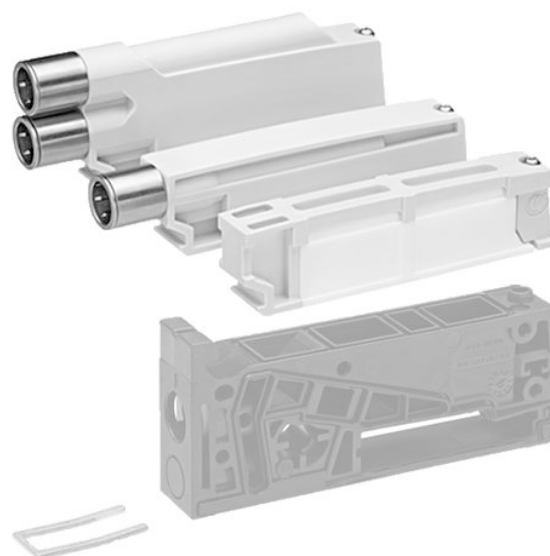


# Extension kit, exhaust module for supply plate

R412018331

AV03

2024-06-18



## Technical data

Industry

Industrial

Type

Exhaust module 3, 5, and R with flat silencer

Min. working pressure

-0.95 bar

Max. working pressure

10 bar

Min. ambient temperature

-10 °C

Max. ambient temperature

60 °C

Min. oil content of compressed air

0 mg/m<sup>3</sup>

Max. oil content of compressed air

5 mg/m<sup>3</sup>

Max. particle size

40 µm

Scope of delivery

Exhaust module, including 1 seal, 1 mounting screw

## Material

Part No.

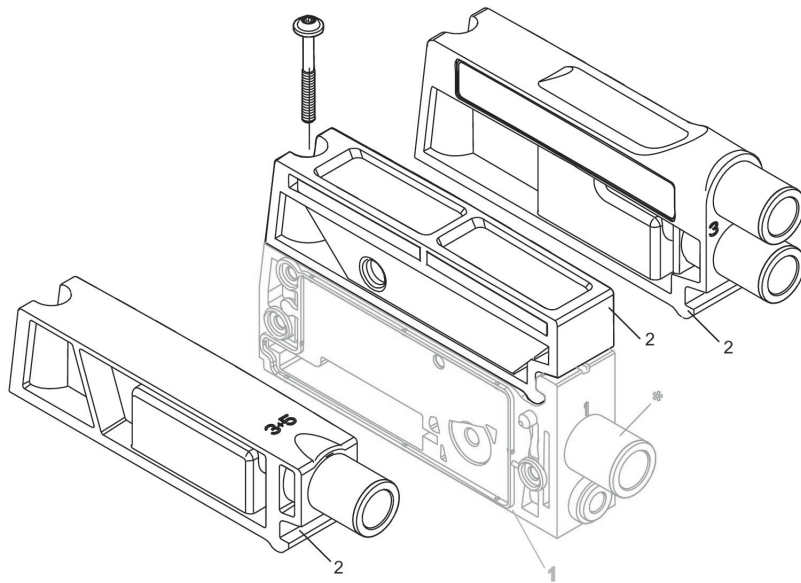
R412018331

## Technical information

When using polyurethane tubing, we recommend using additional stiffener sleeves.

For push-in fittings, only use plug accessories made of plastic (polyamide) from our catalog.

## Overview drawing



---

2) Exhaust module