



## Technical data

Industry

Industrial

Type

Base plate 4x for bus coupler

Min. working pressure

-0.95 bar

Max. working pressure

10 bar

Min. ambient temperature

-10 °C

Max. ambient temperature

60 °C

Medium

Compressed air

Scope of delivery

2 base plates (1), incl. 4 nuts (2), 4 labels (3), 2 seals (4), 2 retaining clips (5), 1 tie rod extension (6), and 1 extension circuit board (7)

## Material

Housing material

Polyamide fiber-glass reinforced

Seal material

Nitrile rubber

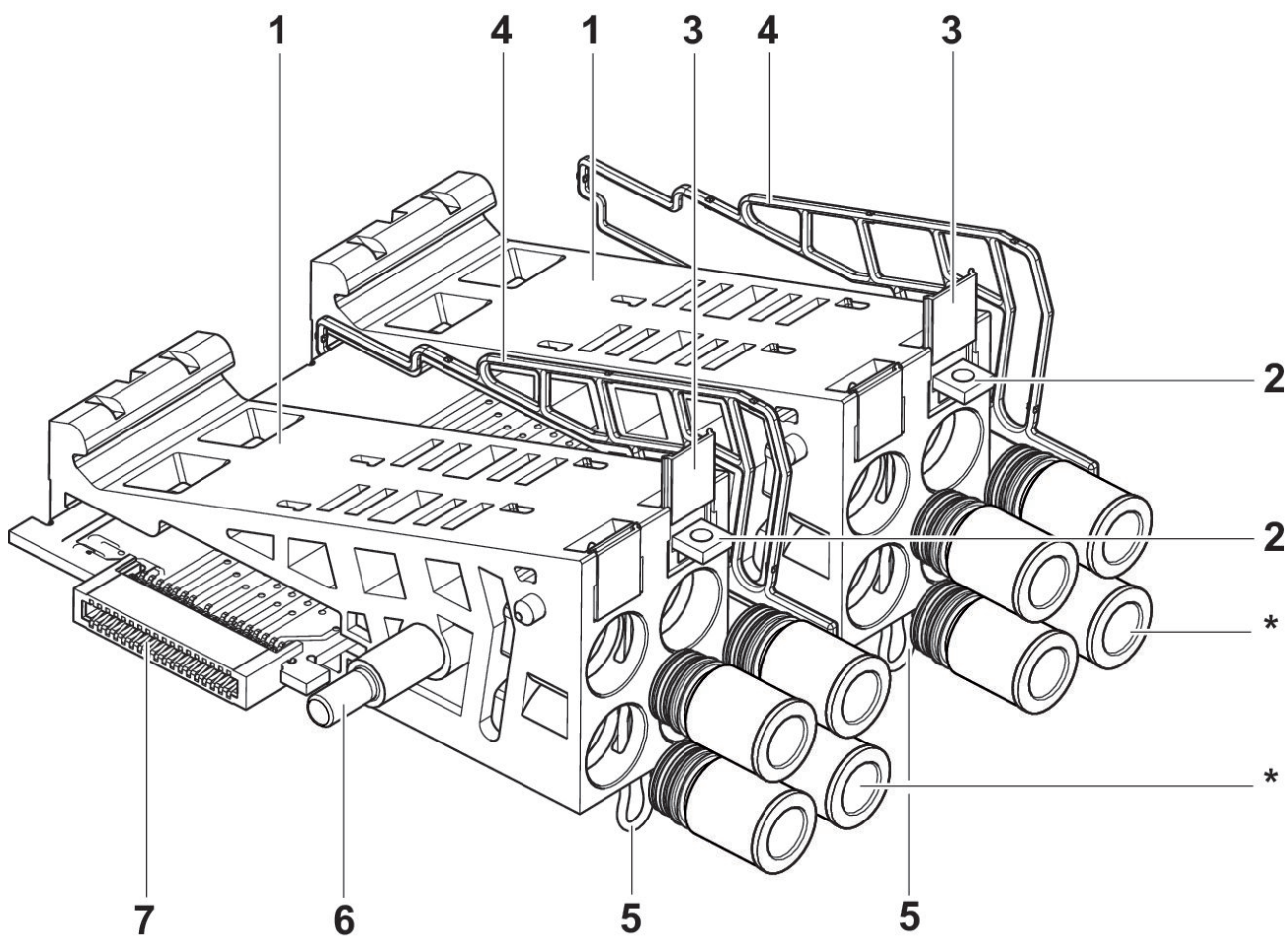
Part No.

R412018205

## Technical information

After three I/O modules or 8 valves, mount a retaining bracket (R412018339) to fasten the entire unit to the mounting surface.

## Overview drawing



Push-in fittings not included in the scope of delivery.

\* For more information on push-in fittings, see the "Push-in fittings" page for the AV series in the catalog.