



Technical data

Industry

Industrial

Min. working pressure

-0.95 bar

Max. working pressure

10 bar

Min. ambient temperature

-10 °C

Max. ambient temperature

60 °C

Scope of delivery

Adapter plate incl. 2x sealings, 4x screws, 1x tie rod nut, 1x circuit board

Material

Housing material

Polyamide fiber-glass reinforced

Seal material

Natural rubber

Part No.

R412015587

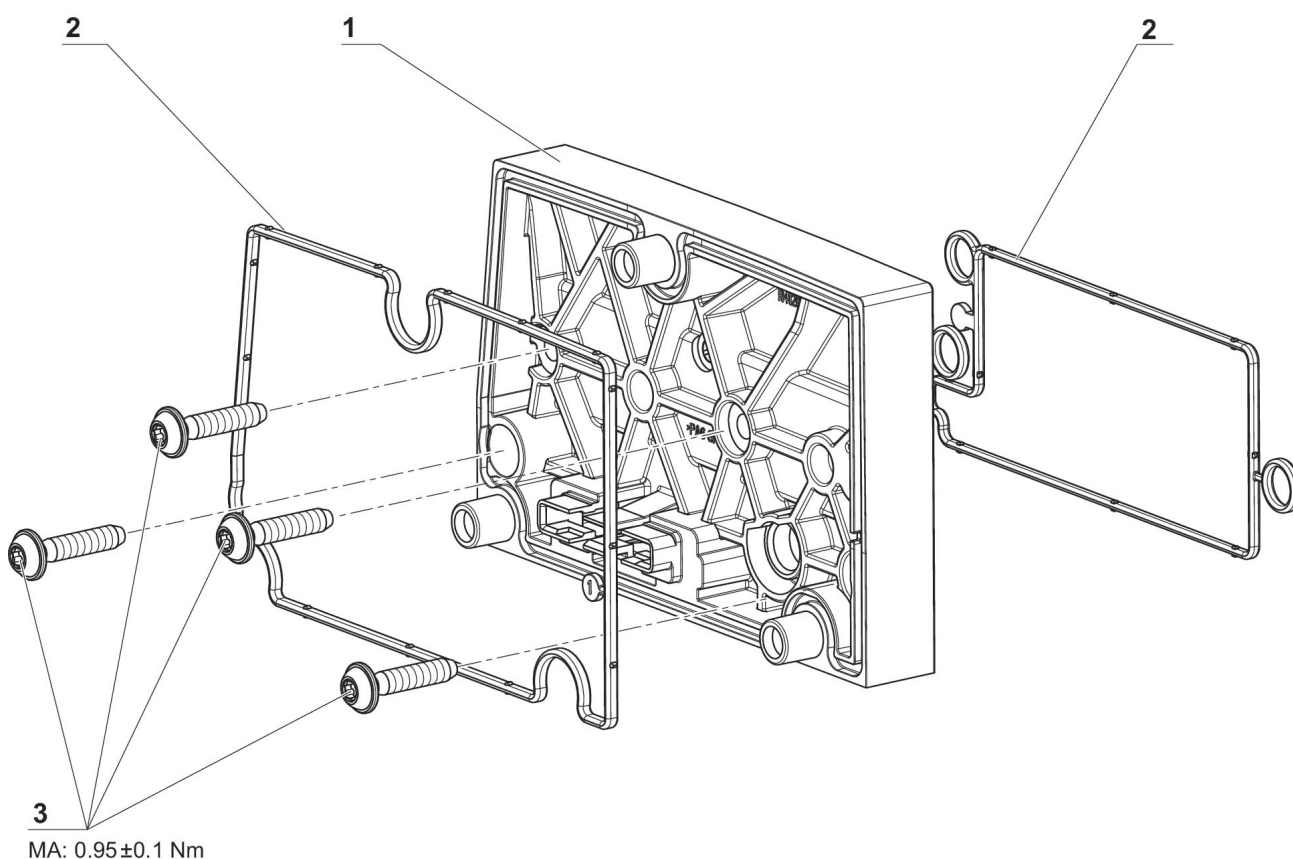
Technical information

The min. control pressure must be adhered to, since otherwise faulty switching and valve failure may result!

The pressure dew point must be at least 15 °C less than ambient and medium temperature and may not exceed 3 °C.

The oil content of compressed air must remain constant during the life cycle.

Dimensions



- 1) Transition plate
- 2) Seal
- 3) Screws