

Technical data

Industry

Industrial

Position

8

Type

AV03 / AV05

Screws for left end plate

Min. ambient temperature

-10 °C

Max. ambient temperature

60 °C

Medium

Compressed air

Material

Part No.

R412015467

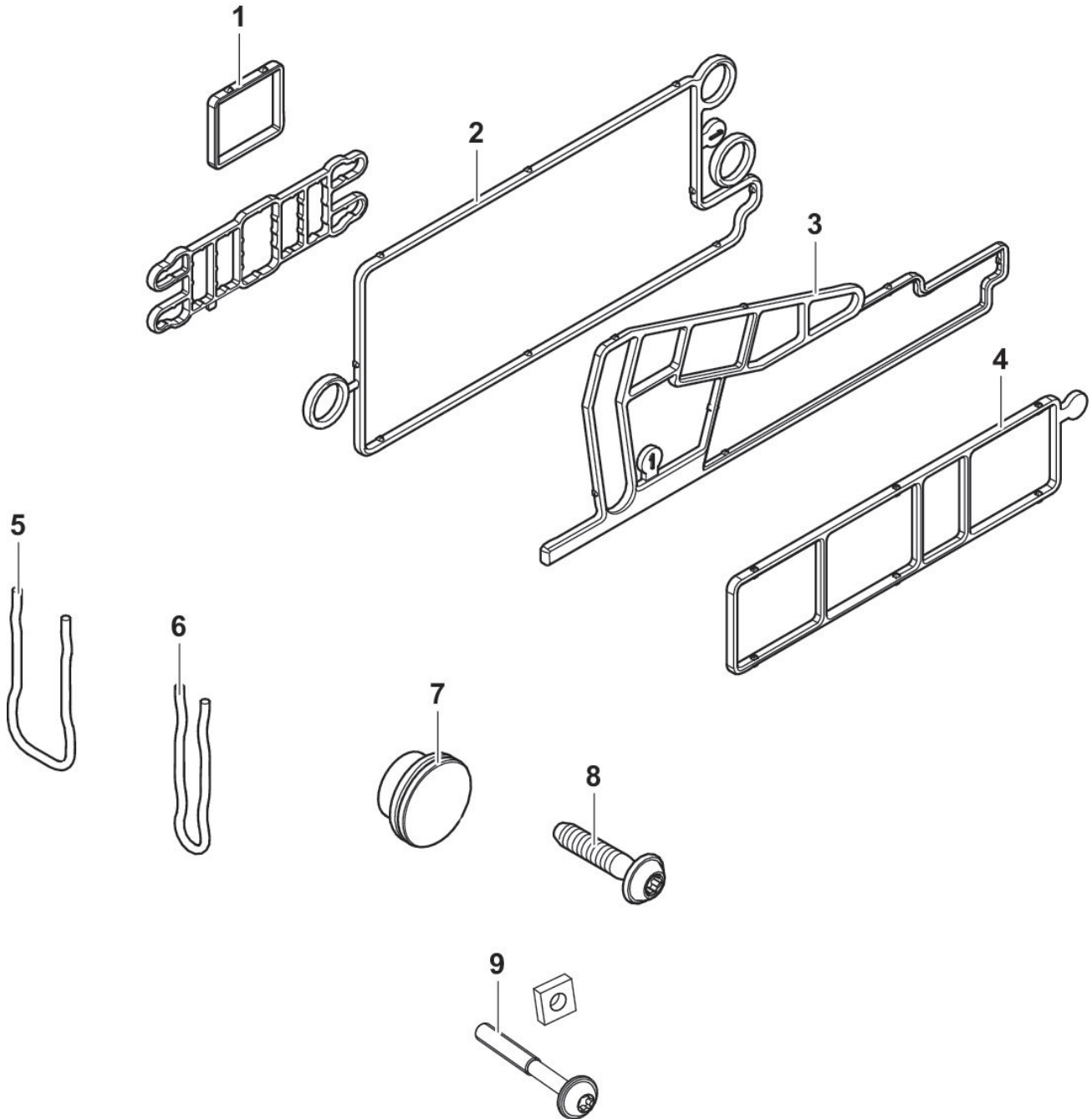
Accessories

R412015467

AV03 /
AV05

2024-08-13

Overview drawing



Position	Type	for series	Part No.
1	Valve seals	AV03	R412018338
1	Valve seals	AV05	R412020084
2	Seals for left end plate	AV03	R412018344
2	Seals for left end plate	AV05	R412020080

Accessories

R412015467

AV03 /
AV05

2024-08-13

Position	Type	for series	Part No.
3	Seals for base plate	AV03	R412018345
3	Seals for base plate	AV05	R412020082
4	Seals for function modules	AV03	R412018346
4	Seals for function modules	AV05	R412020081
5	Retaining clips for supply plate	AV03 / AV05	R412018746
5	Retaining clips for supply plate	AV05	R412020075
6	Retaining clips for base plate	AV03 / AV05	R412018747
7	Sealing cap for right end plate	AV03	R412018351
8	Screws for left end plate	AV03 / AV05	R412015467
9	Mounting screw for valve	AV03	R412018336