

Extension kit for base plate 2x

2024-08-13

R412015423



Technical data

Industry

Industrial

Type

Base plate 2x for double solenoid valves for multipole plug

Min. working pressure

-0.95 bar

Max. working pressure

10 bar

Min. ambient temperature

-10 °C

Max. ambient temperature

60 °C

Medium

Compressed air

Scope of delivery

Base plate (1), incl. 2 nuts (2), 2 labels (3), 1 seal (4), 1 retaining clip (5), 1 tie rod extensions (6), and 1 valve driver board, 2x (7)

Material

Housing material

Polyamide

Seal material

Nitrile rubber

Part No.

R412015423

Technical information

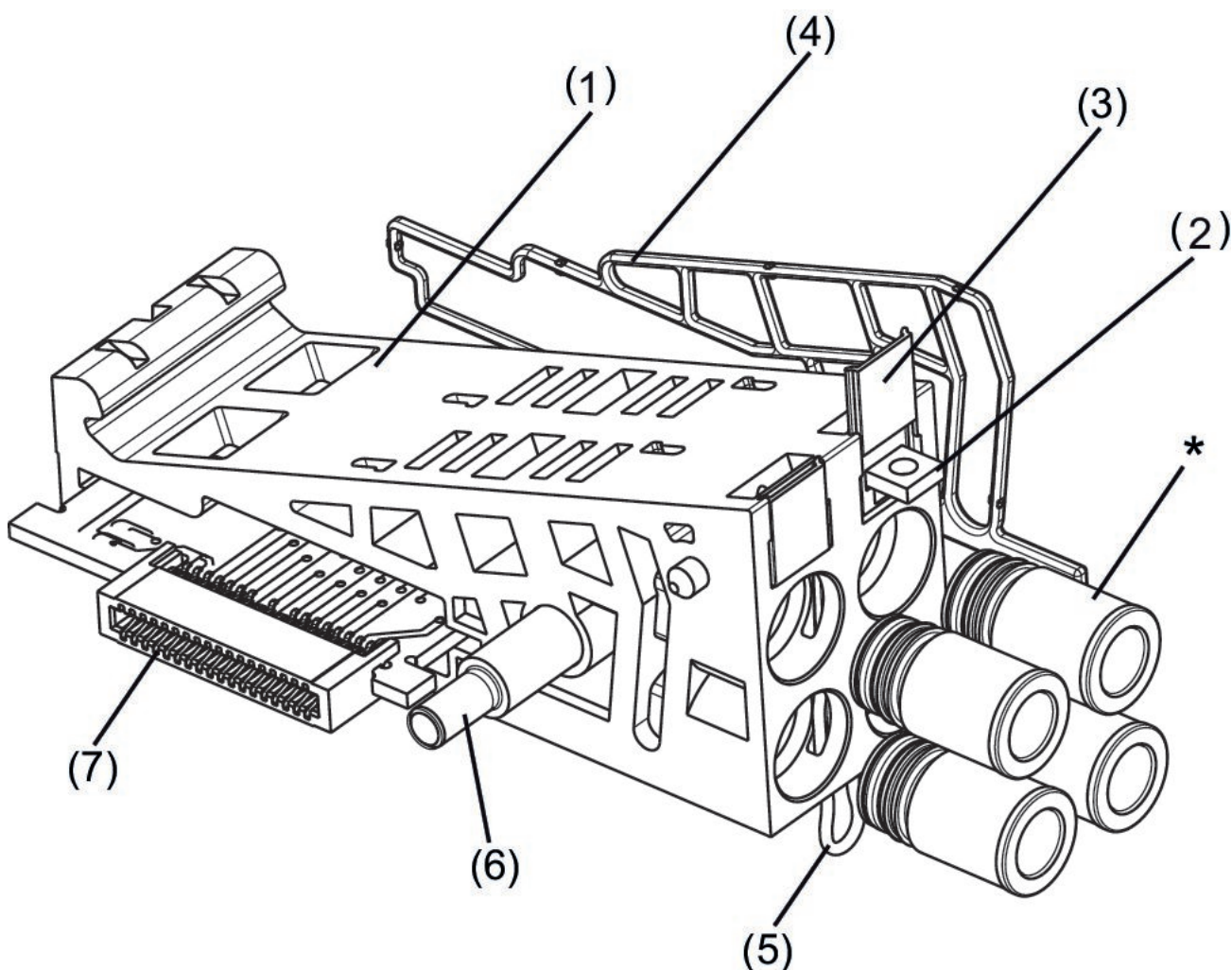
When using polyurethane tubing, we recommend using additional stiffener sleeves.

For push-in fittings, only use plug accessories made of plastic (polyamide) from our catalog.

After two AV-EP or one AV-EP and 4 vales, mount a retaining bracket (R412018339) to fasten the entire unit to the mounting surface.

Overview drawing

Fig. 1



* Push-in fittings not included in the scope of delivery.

* For more information on push-in fittings, see the "Push-in fittings" page for the AV series in the catalog.

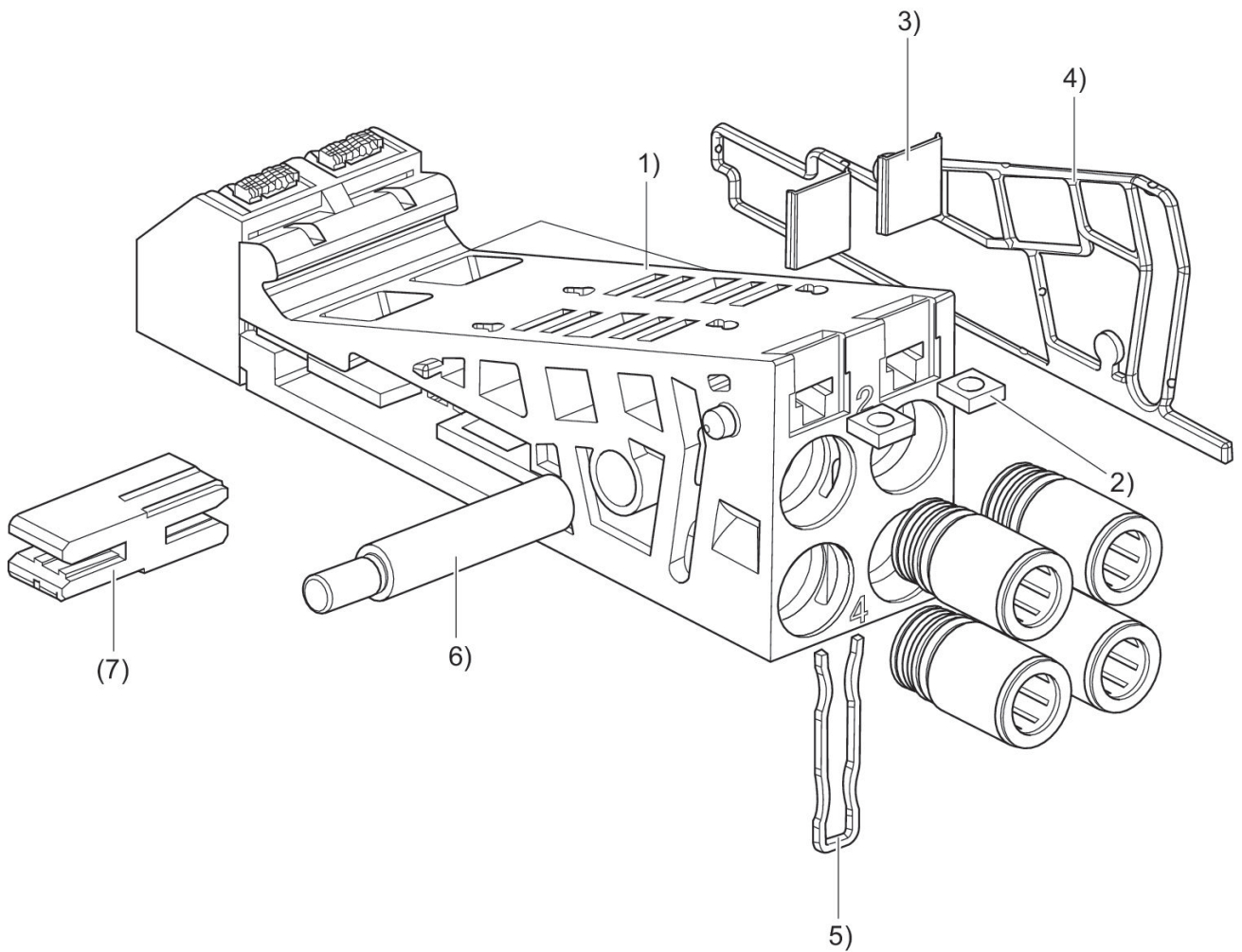
Overview drawing

Extension kit for base plate 2x

2024-08-13

R412015423

Fig. 3



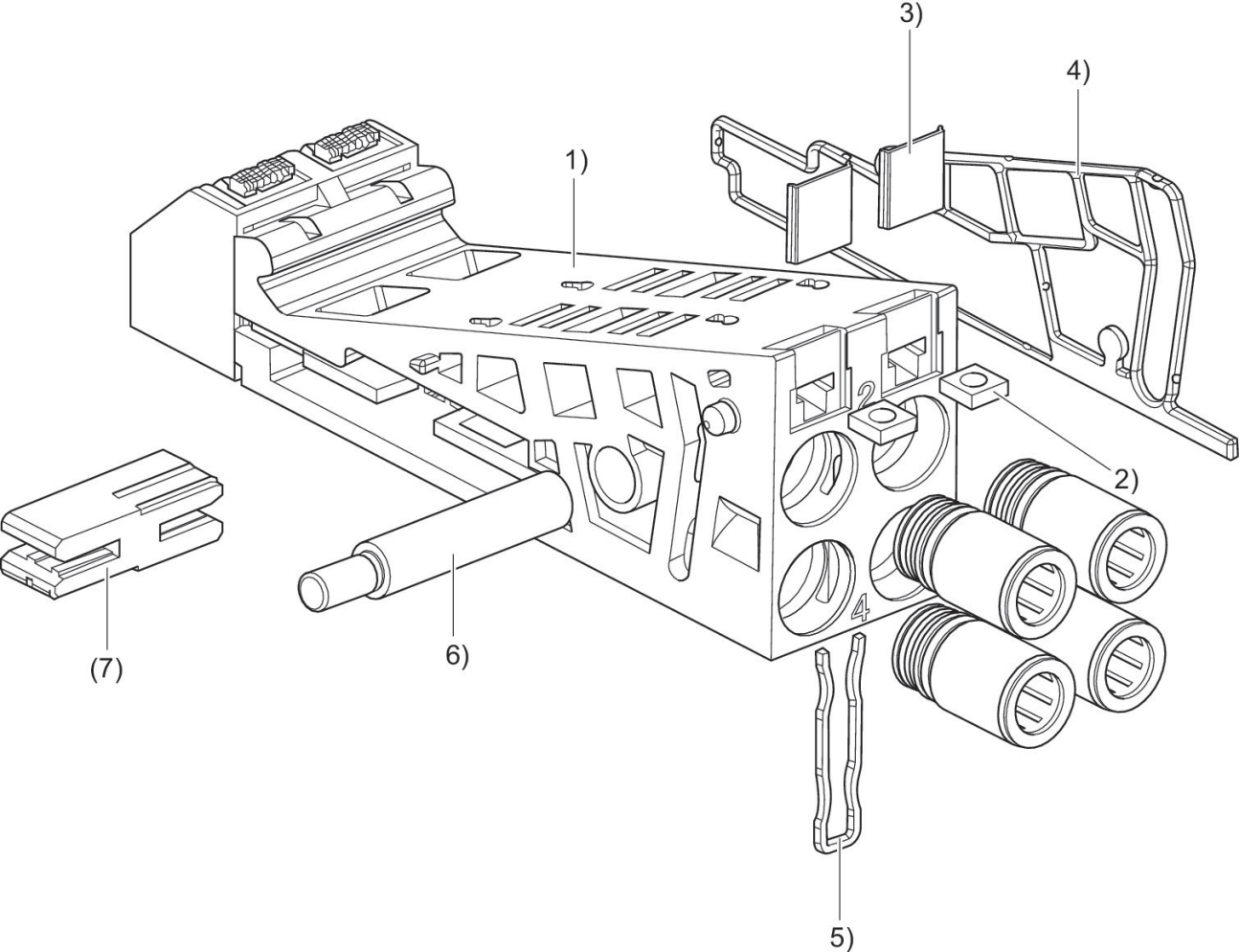
Overview drawing

Extension kit for base plate 2x

2024-08-13

R412015423

Fig. 2



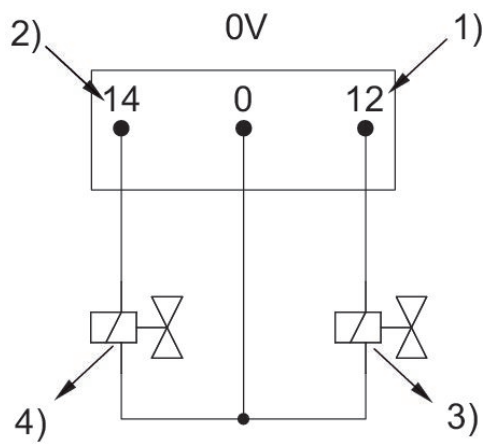
Extension kit for base plate 2x

2024-08-13

R412015423

Pin assignments

AV03-SW



-
- 1) Signal 12
 - 2) Signal 14
 - 3) Coil 12
 - 4) Coil 14