

Stops for the NCT-PK series

2024-01-18

R412014877



Technical data

Industry

Industrial

Type

NCT-PK Ø30 NCT-PK Ø40 NCT-PK Ø60

Scope of delivery

10 piece

Housing material

Hydrogenated acrylonitrile butadiene rubber

Part No.

R412014877

Dimensions

Fig. 1

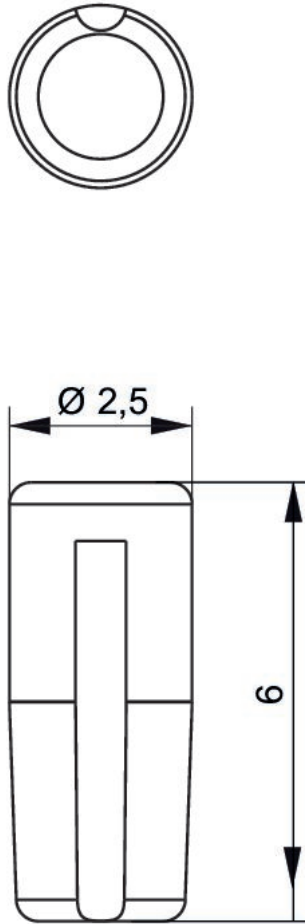


Fig. 2

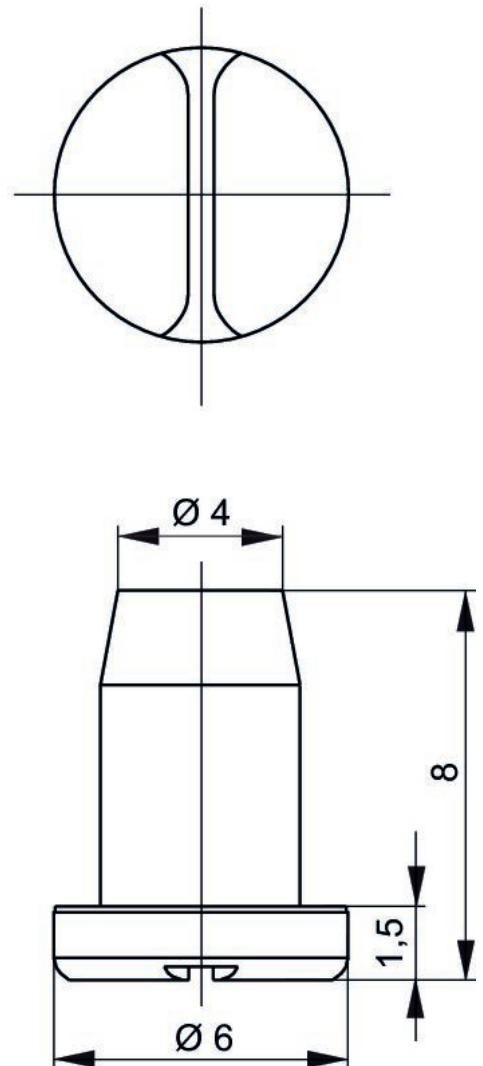


Fig. 1 NCT-PK Ø20

Fig. 2 NCT-PK Ø30 NCT-PK Ø40 NCT-PK Ø60