

Stops for the NCT-PK series

2024-01-18

R412014876



Technical data

Industry

Type

Scope of delivery

Housing material

Part No.

Industrial

NCT-PK Ø20

10 piece

Hydrogenated acrylonitrile butadiene rubber

R412014876

Dimensions

Fig. 1

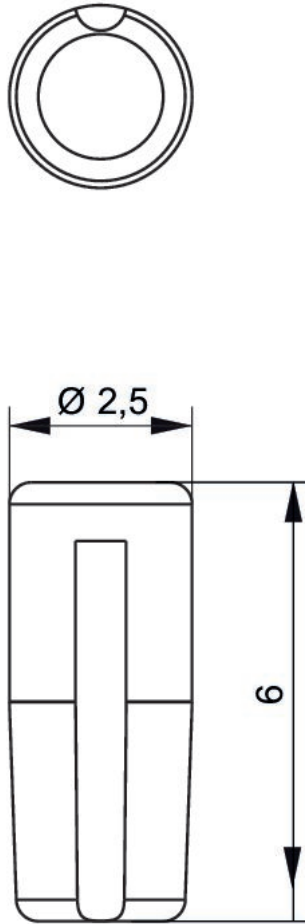


Fig. 2

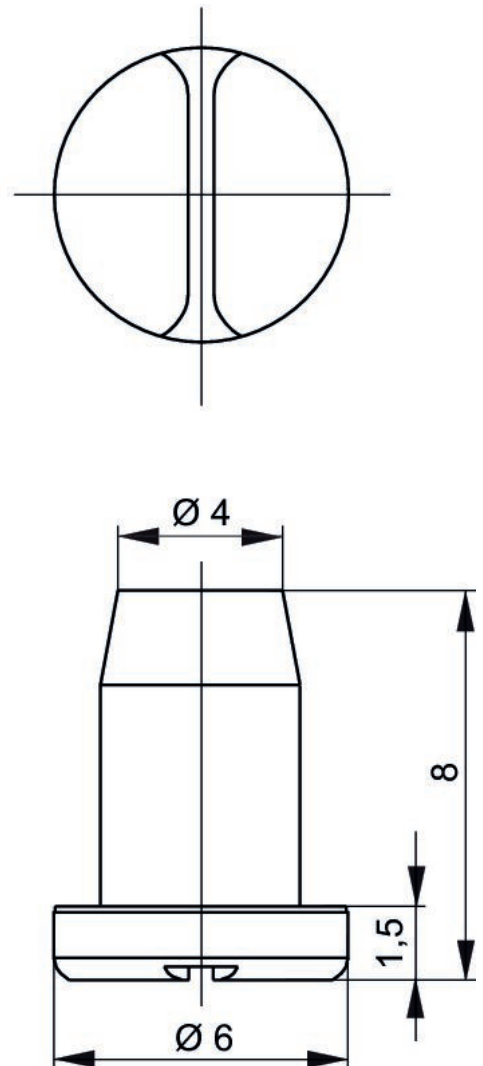


Fig. 1 NCT-PK Ø20

Fig. 2 NCT-PK Ø30 NCT-PK Ø40 NCT-PK Ø60