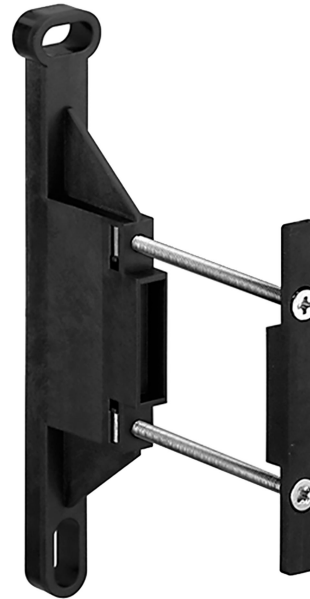


Mounting clip, Series AS1-MBR-...-W03

2024-08-07

R412014757

Series AS1



Technical data

Industry

Industrial

Min. ambient temperature

-10 °C

Max. ambient temperature

50 °C

Weight

0.025 kg

Housing material

Polyamide

Seal material

Acrylonitrile butadiene rubber

R412014757

Mounting clip, Series AS1-MBR-...-W03

2024-08-07

R412014757

Dimensions in mm

