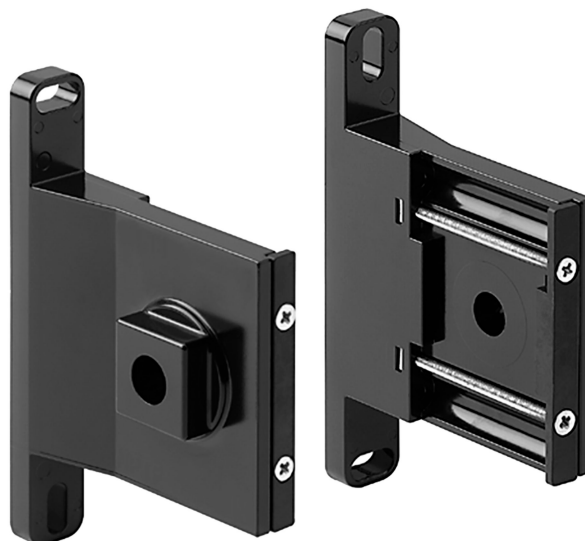


Block assembly kit, Series AS1-MBR-...-W05

R412014753

Series AS1



Technical data

Industry
Industrial

Port
G 1/8

Min. ambient temperature
-10 °C

Max. ambient temperature
50 °C

Weight
0.403 kg

Housing material
Die cast zinc

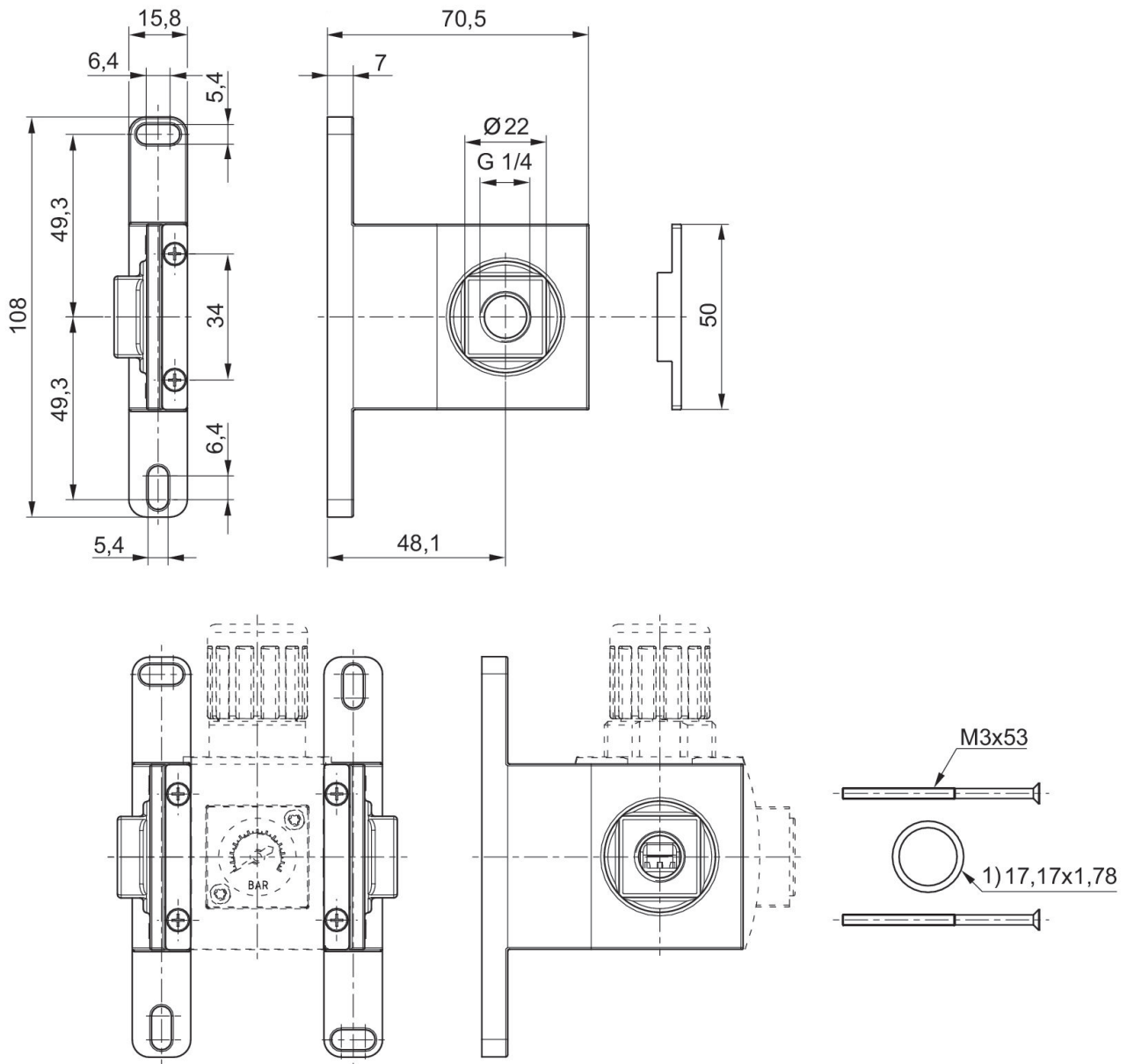
Surface housing
black painted

Seal material
Acrylonitrile butadiene rubber
R412014753

Technical information

Dimensions in mm

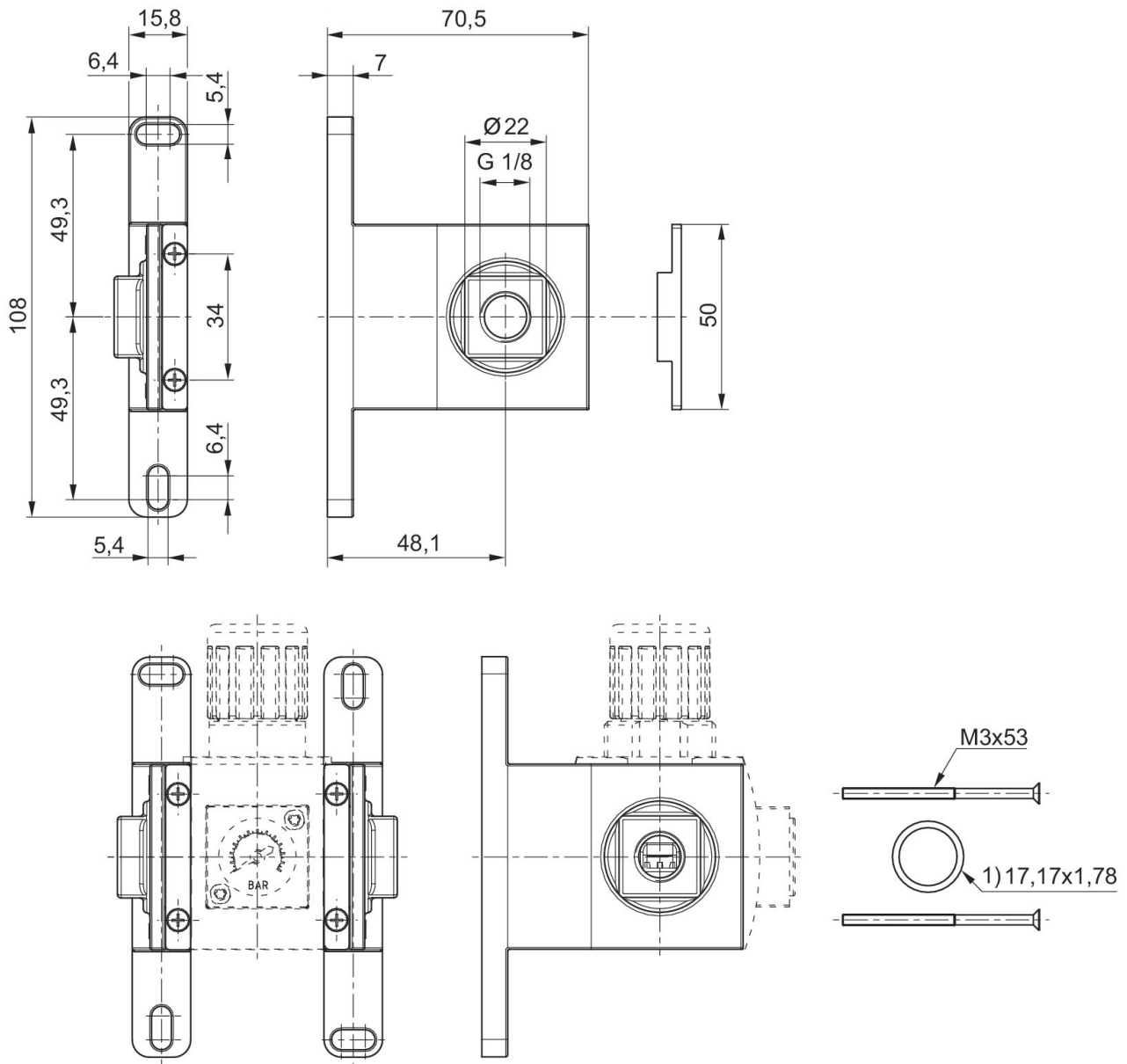
Fig. 2



1) Scope of delivery incl. 4 mounting screws M3x53-4.8-A2R according to EN ISO 7046-1 (countersunk screw with type H X-slot), 2x O-ring

Dimensions in mm

Fig. 1



1) Scope of delivery incl. 4 mounting screws M3x53-4.8-A2R according to EN ISO 7046-1 (countersunk screw with type H X-slot), 2x O-ring