

# Multipole plug, series CON-MP

R412011240

Multipole plug, series CON-MP

- Multipole plug connectors for self-assembly
- Valve system control, D-Sub plug, C/2 plug



## Technical data

Industry  
Industrial

Type  
Multipole

Connection type  
Soldering/crimping

Shielding  
unshielded

Min. ambient temperature  
-5 °C

Max. ambient temperature  
50 °C

Max. current  
3 A

Protection class  
IP65

Operational voltage  
24 V DC

Electrical connection 1, type  
Socket

Electrical connection 1, thread size  
D-Sub

Electrical connection 1, number of poles  
25-pin

Cable exit  
Angled/straight

Cable exit angle  
90°/180°

Weight  
0.042 kg

## Material

Housing material  
Polyamide

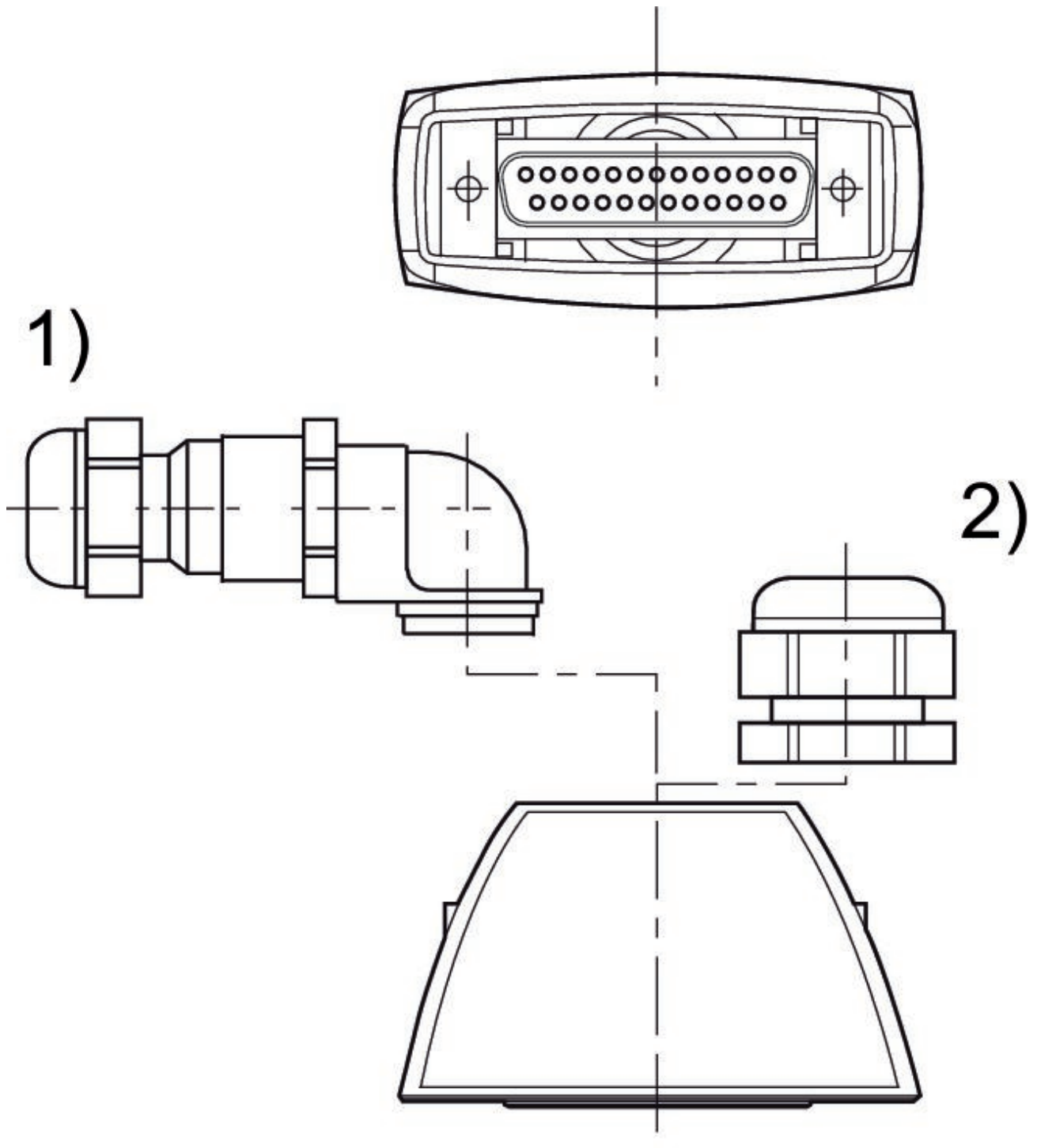
Part No.  
R412011240

## Technical information

The specified protection class is only valid in assembled and tested state.

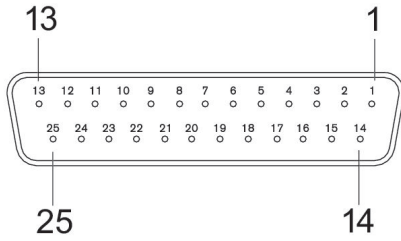
Note for use with VS LP04: The plug can only be used in the LP04 versions with a side electrical connection.

## Dimensions



- 1) Elbow fitting
- 2) tube nut

**PIN assignment and cable colors**  
cable identification as per DIN 47100



Socket