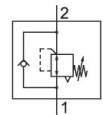


## AVENTICS Series RG1 Manually operated pressure regulators

AVENTICS RG1 Series are composed of Piston pressure regulator for panel installation



### Technical data

Industry	Industrial
Type	Piston pressure regulator for panel installation
Type	Piston valve
Compressed air connection input	M5
Compressed air connection output	M5
Min. working pressure	0 bar
Max. working pressure	10 bar
Min. regulation range	1 bar
Max. regulation range	8 bar
Min. ambient temperature	0 °C
Max. ambient temperature	60 °C
Min. medium temperature	0 °C
Max. medium temperature	60 °C
Medium	Compressed air
Qn 1 > 2	70 l/min
Weight	0.045 kg
Housing material	Brass
Surface housing	nickel-plated
Seal material	Nitrile butadiene rubber

Part No.

R412010705

## Technical information

The pressure dew point must be at least 15 °C less than ambient and medium temperature and may not exceed 3 °C.

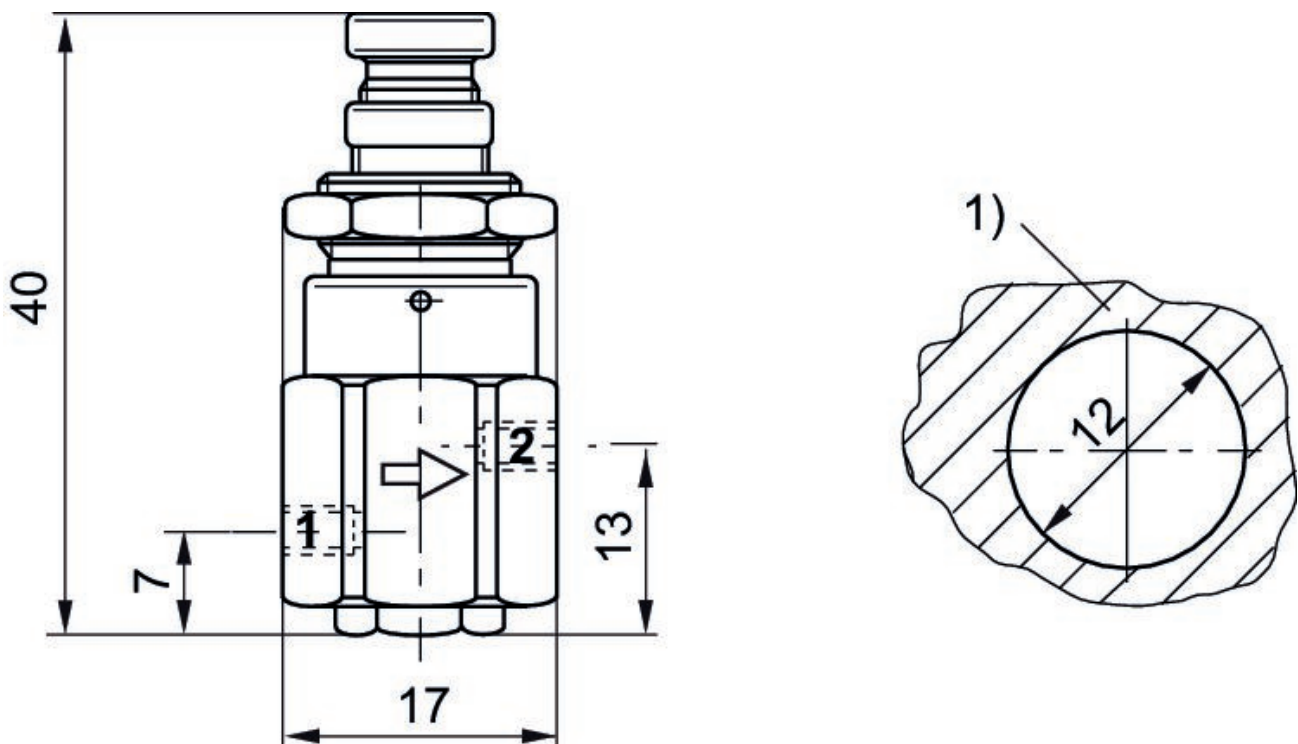
The min. control pressure must be adhered to, since otherwise faulty switching and valve failure may result!

The pressure dew point must be at least 15 °C less than ambient and medium temperature and may not exceed 3 °C.

The oil content of compressed air must remain constant during the life cycle.

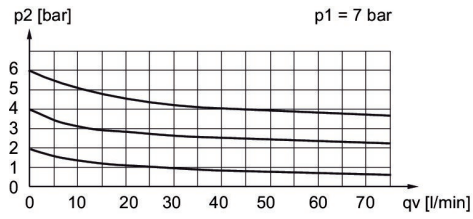
Use only the approved oils from AVENTICS. Further information can be found in the "Technical information" document (available in <https://www.emerson.com/en-us/support>).

## Dimensions



1) panel installation

## Flow rate characteristic, $p_2 = 0,05 - 7$ bar



$p_1$  = working pressure,  $p_2$  = secondary pressure,  $q_v$  = nominal flow