



Technical data

Industry

Industrial

Delivery unit

1 piece

Weight

0.02 kg

Material

Housing material

Zinc

Surface housing

chrome-plated

Part No.

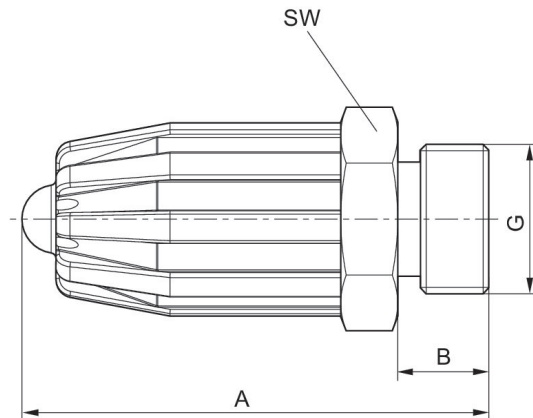
R412010652

Safety nozzle

2024-05-06

R412010652

Dimensions



Dimensions in mm

Part No.	A	B	G	SW
R412010652	41	8	M12x1,25	17