

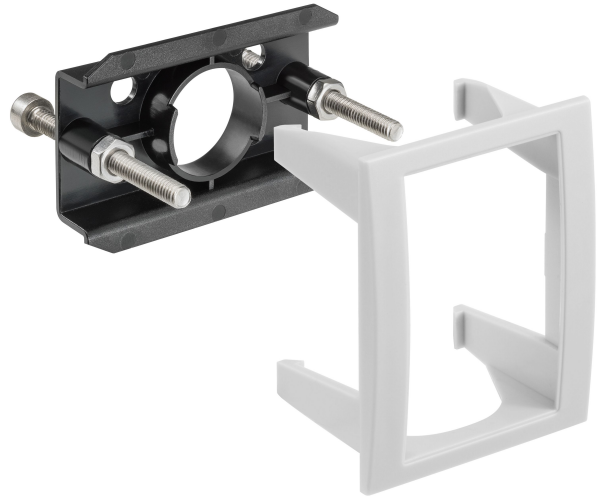
Control panel installation kit

R412010406

Valve
accessories

2024-08-06

Mechanical accessories



Technical data

Industry	Industrial
For series	PE5
Min. ambient temperature	0 °C
Max. ambient temperature	60 °C

Delivery unit 1 piece

Material

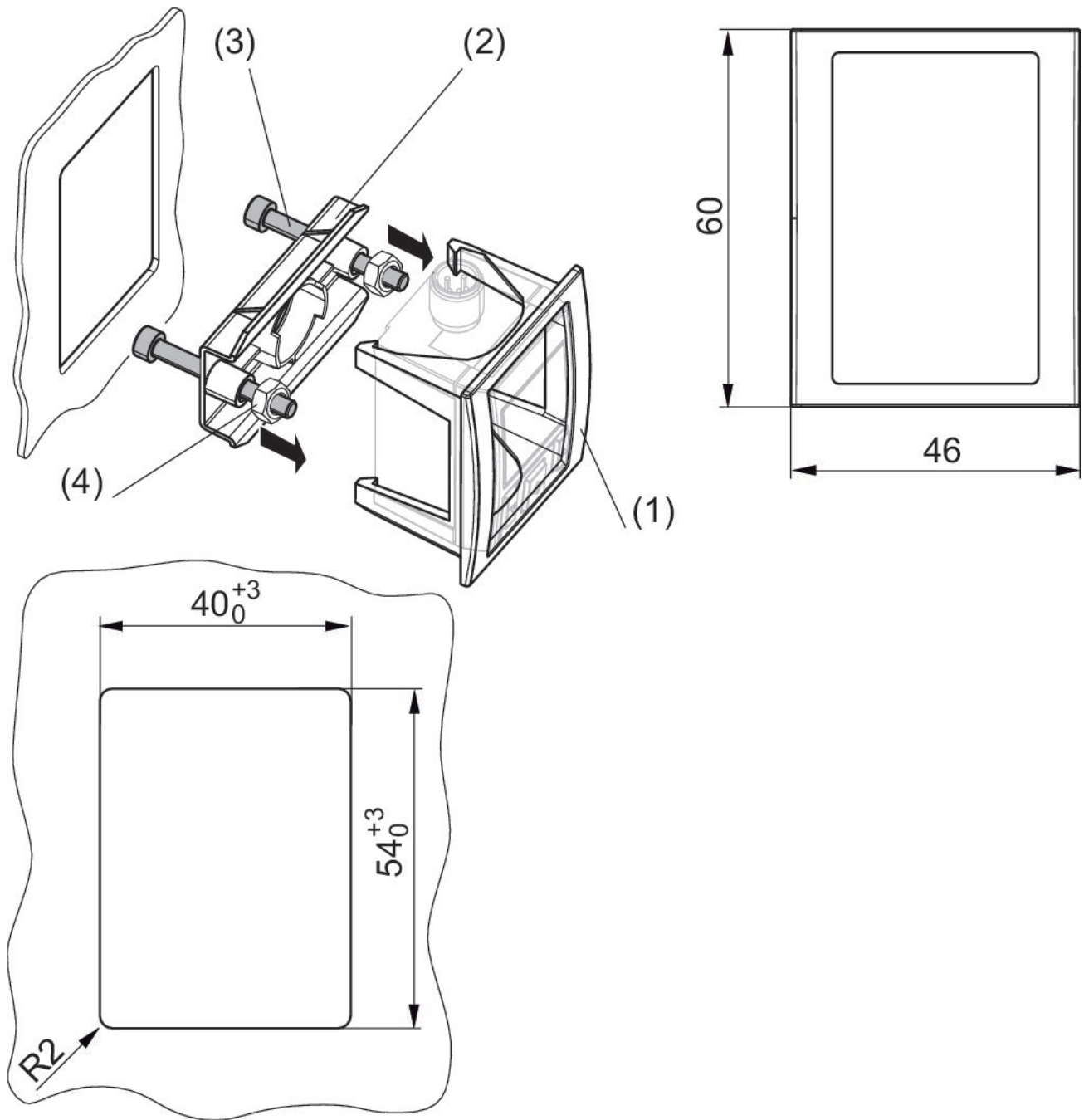
Seal material	Polyurethane
Part No.	R412010406

Control panel installation kit

R412010406

Valve
accessories

2024-08-06



1 front frame (1), 1 wall mounting (2), 2 attachment screws M4x40 (3), 2 hexagonal nuts (4)
Panel plate thickness max. 5.0 mm