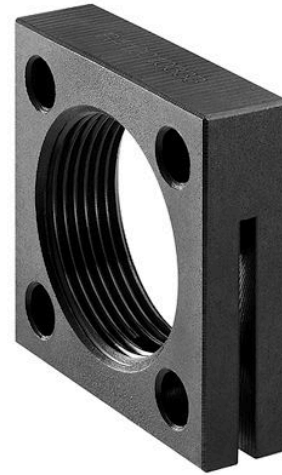


## AVENTICS Flange mountings

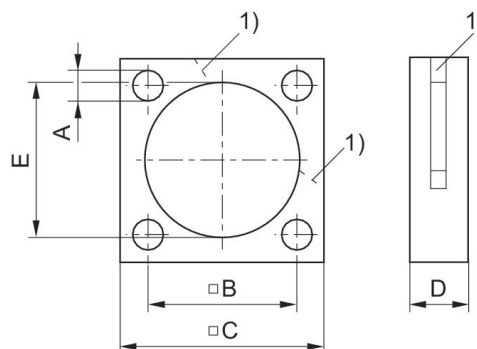


### Technical data

Industry	Industrial
Version	SA1-MC
Delivery unit	1 piece
Weight	0.4 kg

### Material

Housing material	Steel, chrome-plated
Surface housing	bronzed
Part No.	R412010334



1) Clamping slot

# Flange mounting

R412010334

Flange  
mountings

2023-11-14

---

Part No.	A	B	C	D	E
R412010333	6.6	32	45	12	M33x1,5
R412010334	11	58	80	16	M64x2