

## AVENTICS Series SA1 Industrial shock absorbers

The AVENTICS Series SA1 industrial shock absorbers decelerate reliably moving masses and thereby increase process speed, production quality, the service life of production facilities and reduce operating noise.



### Technical data

Industry	Industrial
Type	SA1-MC
Mounting thread	M12x1
Stroke	10 mm
Max. energy absorption/stroke	14 Nm
Max. energy absorption/hour	30000 Nm
Cushioning	self-compensating
Medium	Oil
Min. ambient temperature	-20 °C
Max. ambient temperature	80 °C
Effective mass $m_e$ min.	5 kg
Effective mass $m_e$ max.	57 kg
Min. return spring force	3.5 N
Max. return spring force	7 N
Mounting	Lock nut
Weight	0.036 kg

### Material

Material cylinder tube	Steel, chrome-plated
------------------------	----------------------

# Industrial shock absorber, Series SA1-MC

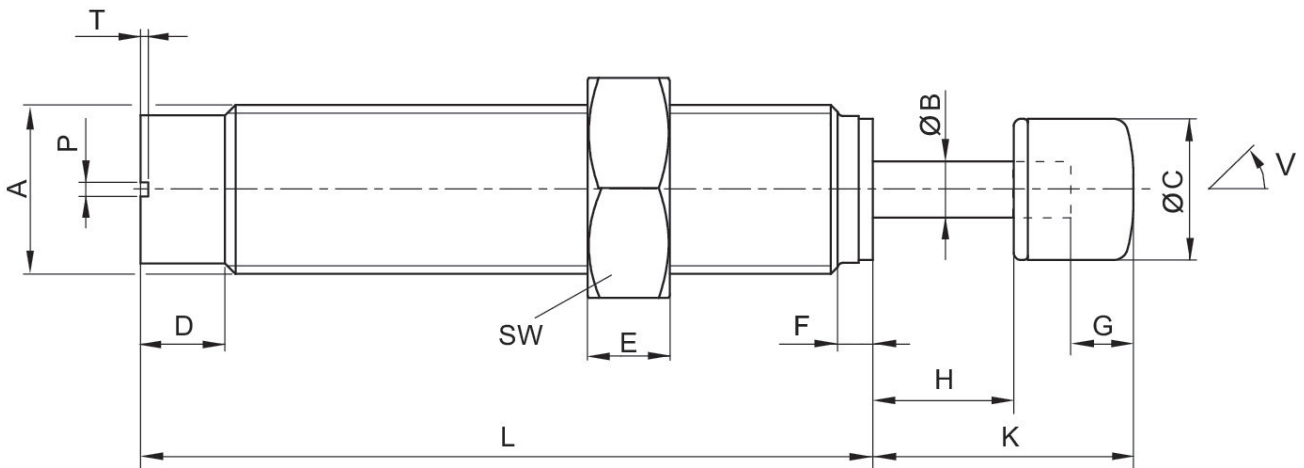
Series SA1

R412010293

2024-01-10

Surface cylinder tube	salt bath nitrocarburized
Material piston rod	Stainless Steel
Surface piston rod	ground and hardened
Material sealing for piston rod	Acrylonitrile butadiene rubber
Material stop	Polyurethane
Material lock nut	Steel, chrome-plated
Surface lock nut	steel, chrome-plated
Part No.	R412010293

## Dimensions



A = mounting thread  
V = tilt

Part No.	Type	Mounting thread	ØB	ØC	D	E	F	G	H
R412010291	SA1-MC	M12x1	4	10	6	4	2.5	4	10
R412010292	SA1-MC	M12x1	4	10	6	4	2.5	4	10
R412010293	SA1-MC	M12x1	4	10	6	4	2.5	4	10

Part No.	K	L	P	T	SW	W [°]
R412010291	18.5	52	1	0.6	14	2
R412010292	18.5	52	1	0.6	14	2
R412010293	18.5	52	1	0.6	14	2