

Multiple connector

R412010006

AVENTICS
Distributors
and
distributor
strips

AVENTICS Distributors and distributor strips



Technical data

Industry	Industrial
Type	Distributor 6x
Port G	G 3/4
Working pressure min.	0 bar
Working pressure max	16 bar
Min. ambient temperature	-20 °C
Max. ambient temperature	80 °C

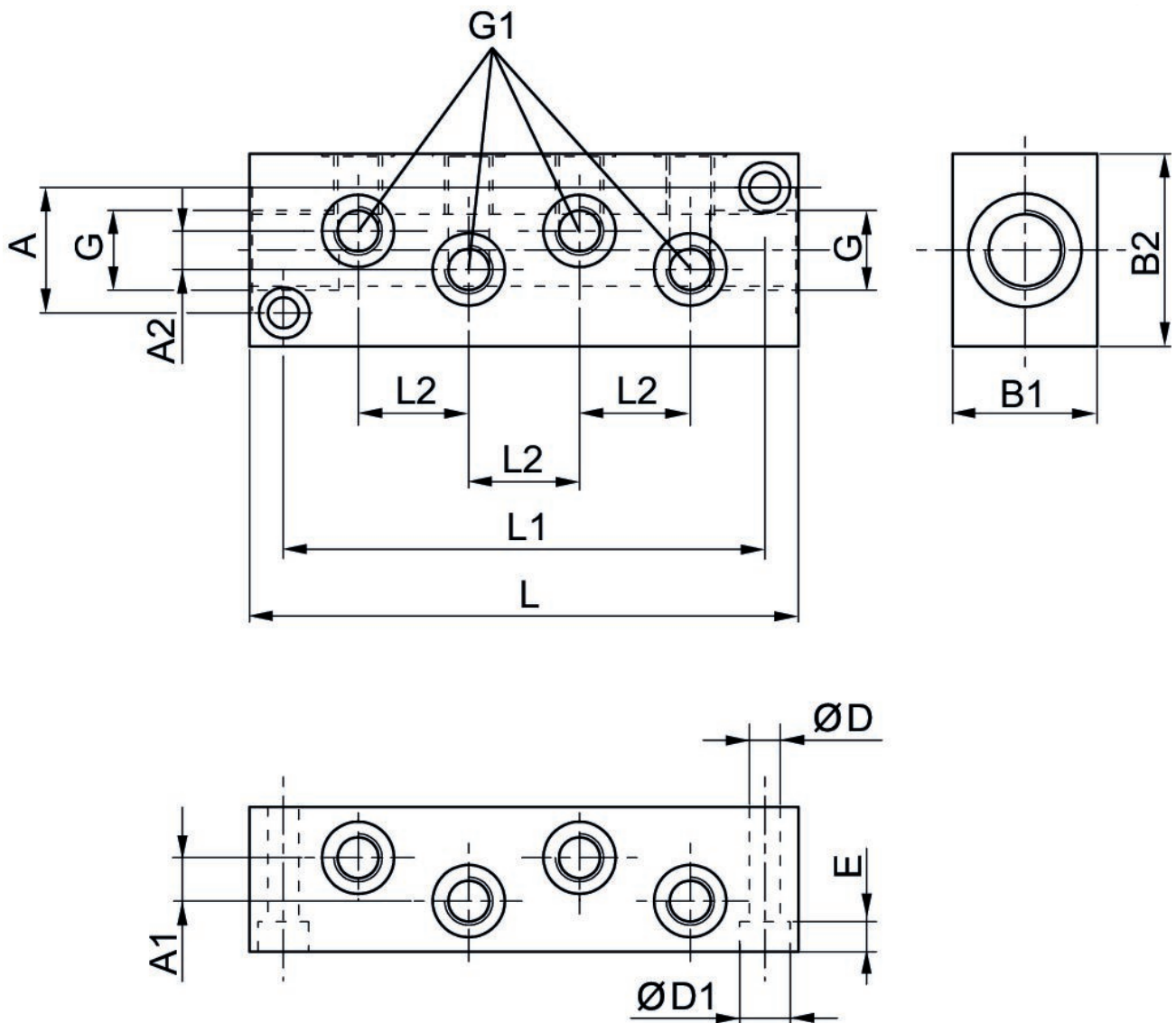
Material

Housing material	Aluminum
Surface housing	anodized
Part No.	R412010006

Multiple connector

R412010006

AVENTICS
Distributors
and
distributor



Part No.	G	G1	A	A1	A2	B1	B2	ØD	ØD1
R412010007	G3/8	G1/8	26	8	8	30	40	6.5	10.5
R412010006	G3/4	G1/2	40	6	6	45	60	8.5	15

Part No.	E	L	L1	L2
R412010007	6.2	114	100	23
R412010006	6.2	170	150	36