

Reservoir, Series AS5-CBS

2024-03-20

R412009351

Series AS5

Qn = 14500 l/min



Technical data

Industry	Industrial
Parts	Reservoir
Reservoir	reservoir, polycarbonate, with PA protective guard
Lubricator version	with level indicator
Lubricator reservoir volume	181 cm ³
Electrical level indicator	with external query
Min. working pressure	0 bar
Max. working pressure	16 bar
Min. ambient temperature	-10 °C
Max. ambient temperature	50 °C
Min. medium temperature	-10 °C
Max. medium temperature	50 °C
Medium	Compressed air Oil
Weight	0.086 kg

Material

Material reservoir	Polycarbonate
Material protective guard	Polyamide

Reservoir, Series AS5-CBS

2024-03-20

R412009351

Seal material

Acrylonitrile butadiene rubber

Part No.

R412009351

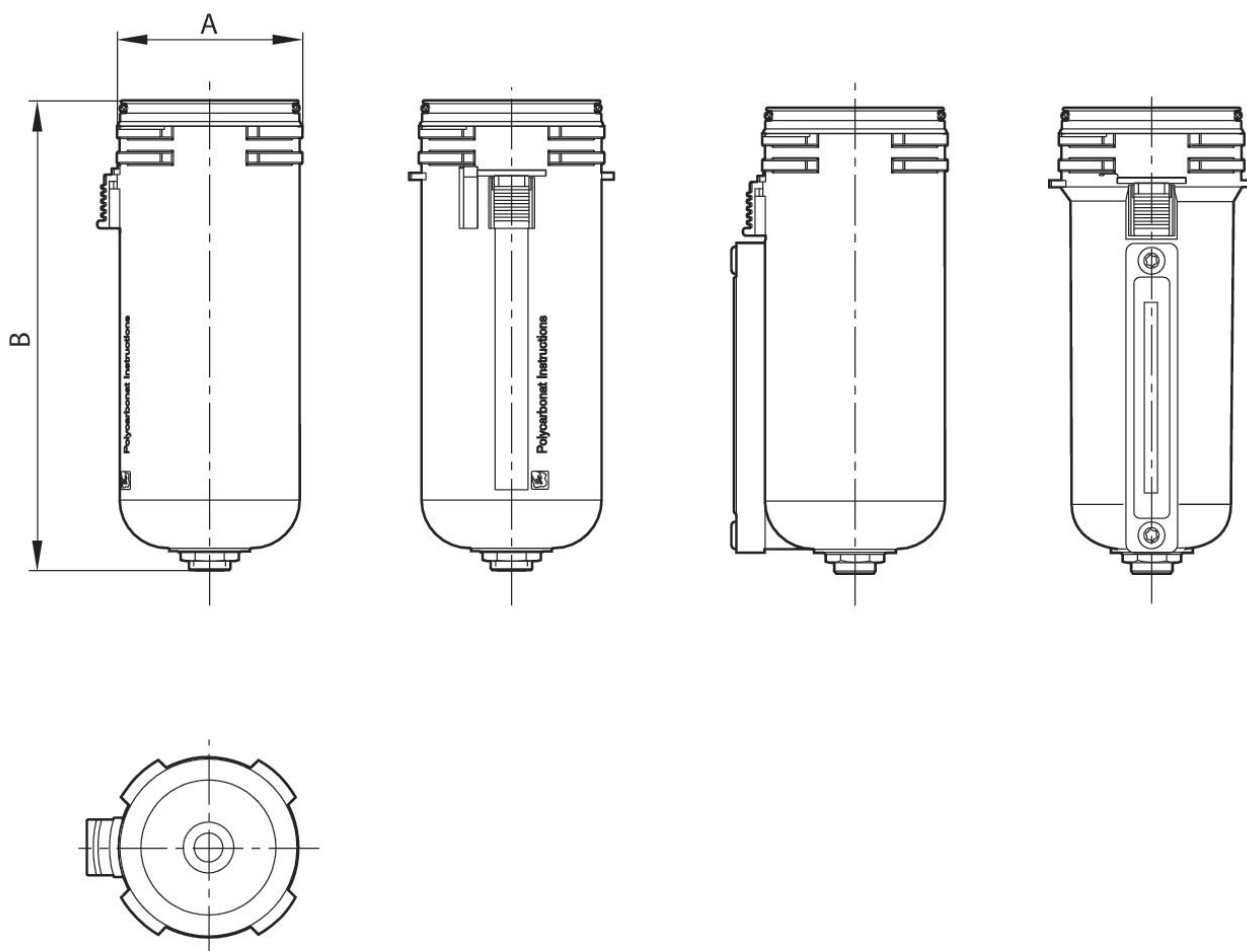
Technical information

The pressure dew point must be at least 15 °C less than ambient and medium temperature and may not exceed 3 °C.

The oil content of compressed air must remain constant during the life cycle.

Use only the approved oils from AVENTICS. Further information can be found in the “Technical information” document (available in <https://www.emerson.com/en-us/support>).

Dimensions



Reservoir, Series AS5-CBS

2024-03-20

R412009351

Part No.	A	B
R412009351	60	154.8
R412009352	60	154.8
R412009358	60	154.8