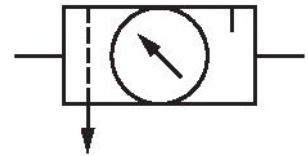


# Air preparation unit, 2-part, Series AS5-ACD

## R412009308

### General series information Series AS5

- The AVENTICS Series AS5 is a modular, versatile maintenance unit for universal application. This Series offers compact dimensions, is highly efficient, lightweight and easy-to-use. The AVENTICS Series AS guarantees reliability, safety, and efficiency with a simplified assembly and maintenance efforts.



### Technical data

**Industry**  
Industrial

**Parts**  
Air preparation units  
Filter pressure regulator  
Lubricator

**Reservoir**  
reservoir, polycarbonate, with PA protective guard

**Port**  
G 1

**Nominal flow Qn**  
12300 l/min

**Filter porosity**  
5 µm

**Condensate drain**  
fully automatic, open without pressure

**Pressure gauge**  
with pressure gauge

**Working pressure min.**  
1.5 bar

**Working pressure max**  
16 bar

**Min. ambient temperature**  
-10 °C

**Max. ambient temperature**  
50 °C

**Regulation range min.**  
0.5 bar

**Regulation range max.**  
8 bar

**Lock type**  
for padlocks

**Type**  
2-part

**Type**  
Can be assembled into blocks

**Pressure supply**  
single

**Mounting orientation**  
vertical

**Regulator type**  
Diaphragm-type pressure regulator

**Regulator function**  
with relieving air exhaust

**Filter element**  
exchangeable

**Filter reservoir volume**  
87 cm<sup>3</sup>

**Max. achievable compressed air class acc. to ISO 8573-1:2010**  
6 : 7 : -

**Lubricator reservoir volume**  
181 cm<sup>3</sup>

**Type of filling**  
Semi-automatic oil filling during operation  
Manual oil filling

**Medium**  
Compressed air  
Neutral gases

**Weight**  
1.88 kg

## Material

### Housing material

Polyamide

### Seal material

Acrylonitrile butadiene rubber

### Material front plate

Acrylonitrile butadiene styrene

### Material threaded bushing

Die cast zinc

### Material reservoir

Polycarbonate

### Material protective guard

Polyamide

### Material filter insert

Polyethylene

### Part No.

R412009308

## Technical information

The pressure dew point must be at least 15 °C under ambient and medium temperature and may not exceed 3 °C .

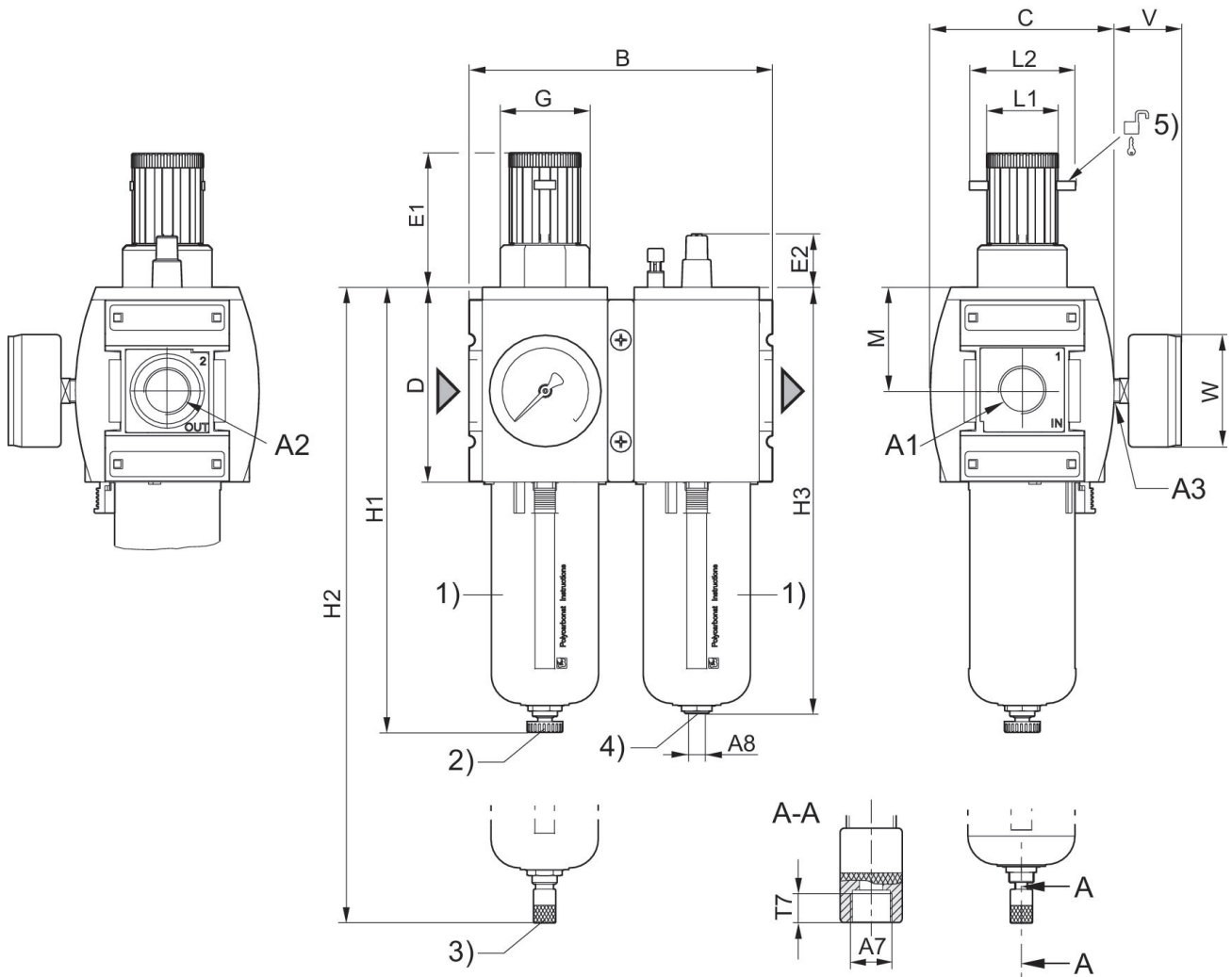
Note: Polycarbonate reservoirs are susceptible to solvents, supplementary information can be found at "Customer information".

Nominal flow  $Q_n$  with secondary pressure  $p_2 = 6$  bar at  $\Delta p = 1$  bar

A change in the flow direction (from air supply on the left to air supply on the right) occurs by rotating installation by 180° about the vertical axis. Please see the operating instructions for further details.

Also suitable for separation of fluid oil or water due to the design.

## Dimensions



- A1 = input A2 = output A3 = pressure gauge connection  
A7 = condensate drain  
1) Plastic reservoir and protective guard with window  
2) Semi-automatic condensate drain  
3) Fully automatic condensate drain  
4) Port for semi-automatic oil filling  
5) Mounting option for padlocks, max. shackle  $\varnothing$  8

## Dimensions in mm

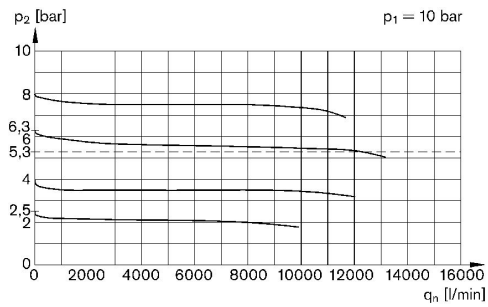
Part No.	A1	A2	A3	A7	A8	B	C	D	E1
R412009298	G 3/4	G 3/4	G 1/4	G 1/8	G 1/8	170	103	109	75
R412009299	G 3/4	G 3/4	G 1/4	G 1/8	G 1/8	170	103	109	75
R412009307	G 1	G 1	G 1/4	G 1/8	G 1/8	170	103	109	75
R412009308	G 1	G 1	G 1/4	G 1/8	G 1/8	170	103	109	75
R412009309	G 1	G 1	G 1/4	G 1/8	G 1/8	170	103	109	75

Part No.	E2	G	H1	H2	H3	L1	L2	M	T7
R412009298	30.5	M50x1,5	250	266	239	41	60	58	8.5

Part No.	E2	G	H1	H2	H3	L1	L2	M	T7
R412009299	30.5	M50x1,5	250	266	239	41	60	58	8.5
R412009307	30.5	M50x1,5	250	266	239	41	60	58	8.5
R412009308	30.5	M50x1,5	250	266	239	41	60	58	8.5
R412009309	30.5	M50x1,5	250	266	239	41	60	58	8.5

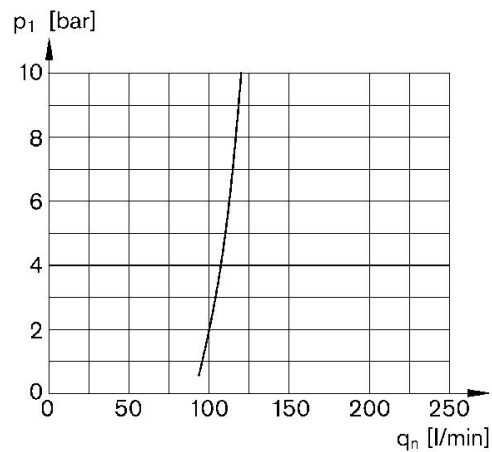
Part No.	V	W
R412009298	38	63
R412009299	38	63
R412009307	38	63
R412009308	38	63
R412009309	38	63

### Flow rate characteristic (setting range p2: 0.5 - 8 bar)



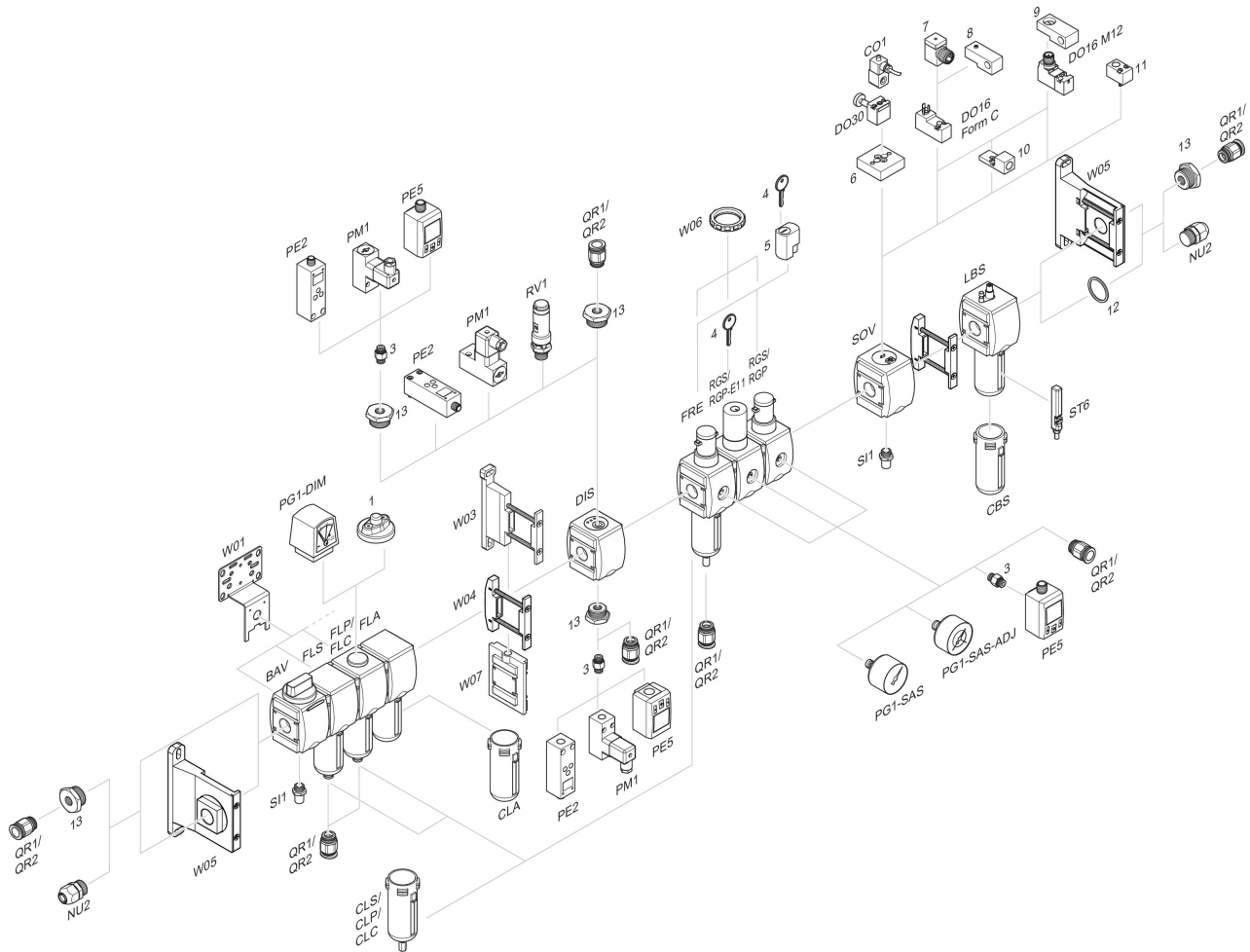
p1 = Working pressure p2 = Secondary pressure qn = Nominal flow

### Lubricator activation margin



p1 = working pressure qn = nominal flow

## Accessories overview



1 = contamination display 3 = Double nipple 4 = Key for E11 locking 5 = mortise lock 6 = Transition plate DO30 7 = Adapter, Series CON-VP 8 = Mounting aid DO16, form C 9 = Mounting aid DO16, M12 10 = Adapter for external pilot air 11 = Adapter pneumatic operation 12 = Sealing ring 13 = Reducing nipple