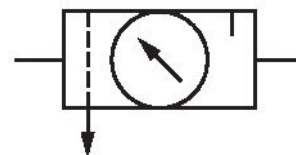


Air preparation unit, 2-part, Series AS5-ACD

R412009299

General series information Series AS5

- The AVENTICS Series AS5 is a modular, versatile maintenance unit for universal application. This Series offers compact dimensions, is highly efficient, lightweight and easy-to-use. The AVENTICS Series AS guarantees reliability, safety, and efficiency with a simplified assembly and maintenance efforts.



Technical data

Industry
Industrial

Parts
Air preparation units
Filter pressure regulator
Lubricator

Reservoir
reservoir, polycarbonate, with PA protective guard

Port
G 3/4

Nominal flow Qn
12300 l/min

Filter porosity
5 µm

Condensate drain
fully automatic, open without pressure

Pressure gauge
with pressure gauge

Working pressure min.
1.5 bar

Working pressure max
16 bar

Min. ambient temperature
-10 °C

Max. ambient temperature
50 °C

Regulation range min.
0.5 bar

Regulation range max.
8 bar

Lock type
for padlocks

Type
2-part

Type
Can be assembled into blocks

Pressure supply
single

Mounting orientation
vertical

Regulator type
Diaphragm-type pressure regulator

Regulator function
with relieving air exhaust

Filter element
exchangeable

Filter reservoir volume
87 cm³

Max. achievable compressed air class acc. to ISO 8573-1:2010
6 : 7 : -

Lubricator reservoir volume
181 cm³

Type of filling
Semi-automatic oil filling during operation
Manual oil filling

Medium
Compressed air
Neutral gases

Weight
1.88 kg

Material

Housing material

Polyamide

Seal material

Acrylonitrile butadiene rubber

Material front plate

Acrylonitrile butadiene styrene

Material threaded bushing

Die cast zinc

Material reservoir

Polycarbonate

Material protective guard

Polyamide

Material filter insert

Polyethylene

Part No.

R412009299

Technical information

The pressure dew point must be at least 15 °C under ambient and medium temperature and may not exceed 3 °C .

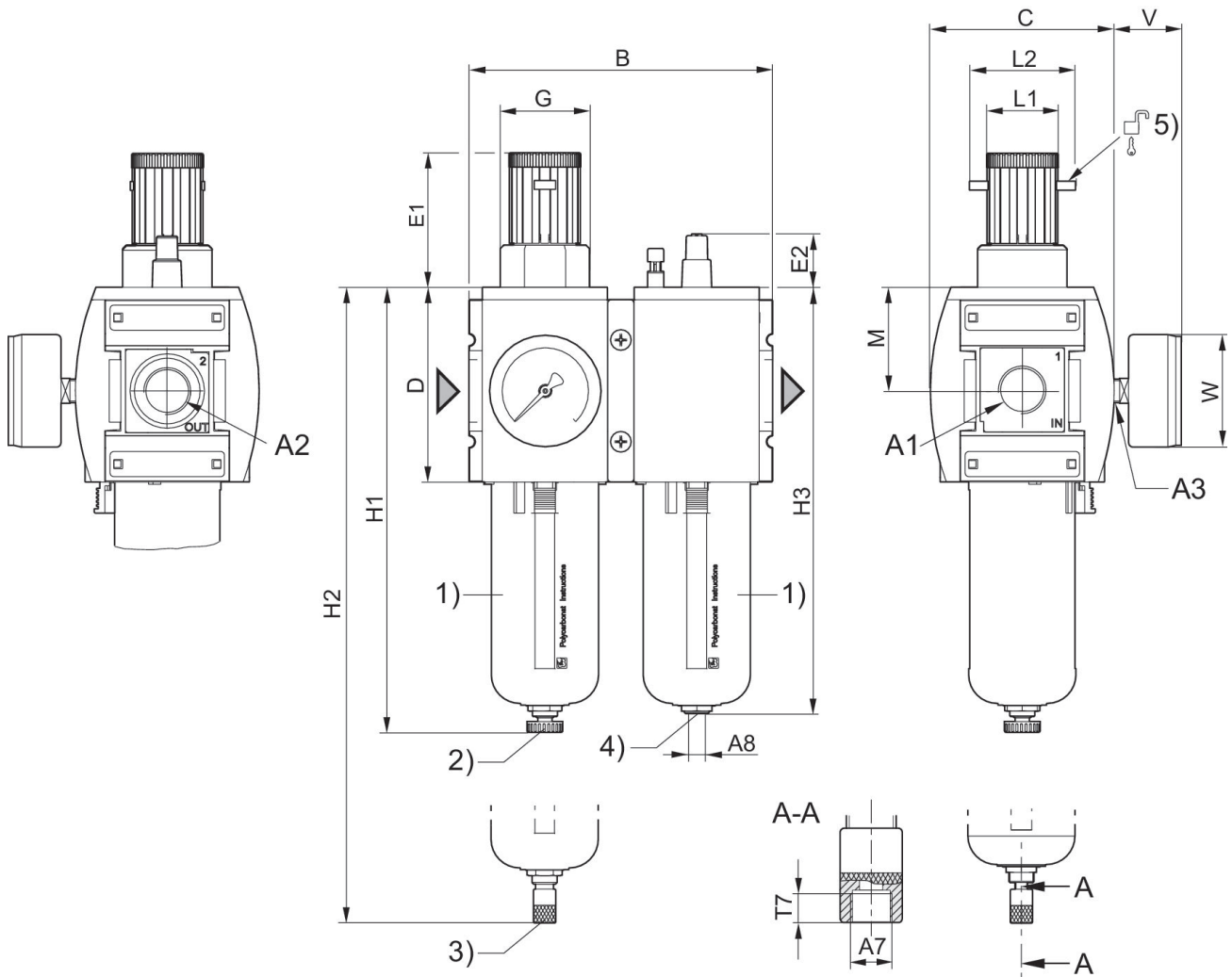
Note: Polycarbonate reservoirs are susceptible to solvents, supplementary information can be found at "Customer information".

Nominal flow Q_n with secondary pressure $p_2 = 6$ bar at $\Delta p = 1$ bar

A change in the flow direction (from air supply on the left to air supply on the right) occurs by rotating installation by 180° about the vertical axis. Please see the operating instructions for further details.

Also suitable for separation of fluid oil or water due to the design.

Dimensions



- A1 = input A2 = output A3 = pressure gauge connection
A7 = condensate drain
1) Plastic reservoir and protective guard with window
2) Semi-automatic condensate drain
3) Fully automatic condensate drain
4) Port for semi-automatic oil filling
5) Mounting option for padlocks, max. shackle \varnothing 8

Dimensions in mm

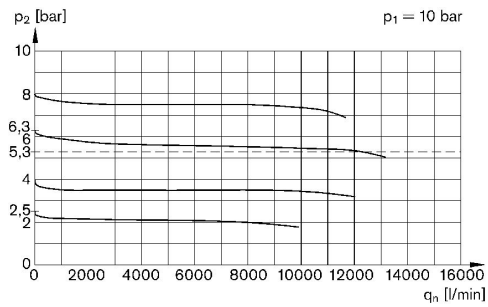
Part No.	A1	A2	A3	A7	A8	B	C	D	E1
R412009298	G 3/4	G 3/4	G 1/4	G 1/8	G 1/8	170	103	109	75
R412009299	G 3/4	G 3/4	G 1/4	G 1/8	G 1/8	170	103	109	75
R412009307	G 1	G 1	G 1/4	G 1/8	G 1/8	170	103	109	75
R412009308	G 1	G 1	G 1/4	G 1/8	G 1/8	170	103	109	75
R412009309	G 1	G 1	G 1/4	G 1/8	G 1/8	170	103	109	75

Part No.	E2	G	H1	H2	H3	L1	L2	M	T7
R412009298	30.5	M50x1,5	250	266	239	41	60	58	8.5

Part No.	E2	G	H1	H2	H3	L1	L2	M	T7
R412009299	30.5	M50x1,5	250	266	239	41	60	58	8.5
R412009307	30.5	M50x1,5	250	266	239	41	60	58	8.5
R412009308	30.5	M50x1,5	250	266	239	41	60	58	8.5
R412009309	30.5	M50x1,5	250	266	239	41	60	58	8.5

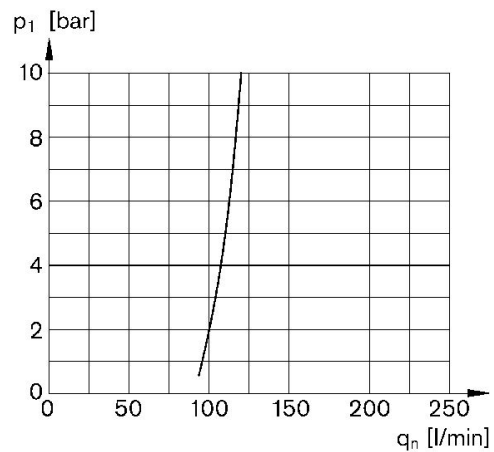
Part No.	V	W
R412009298	38	63
R412009299	38	63
R412009307	38	63
R412009308	38	63
R412009309	38	63

Flow rate characteristic (setting range p2: 0.5 - 8 bar)



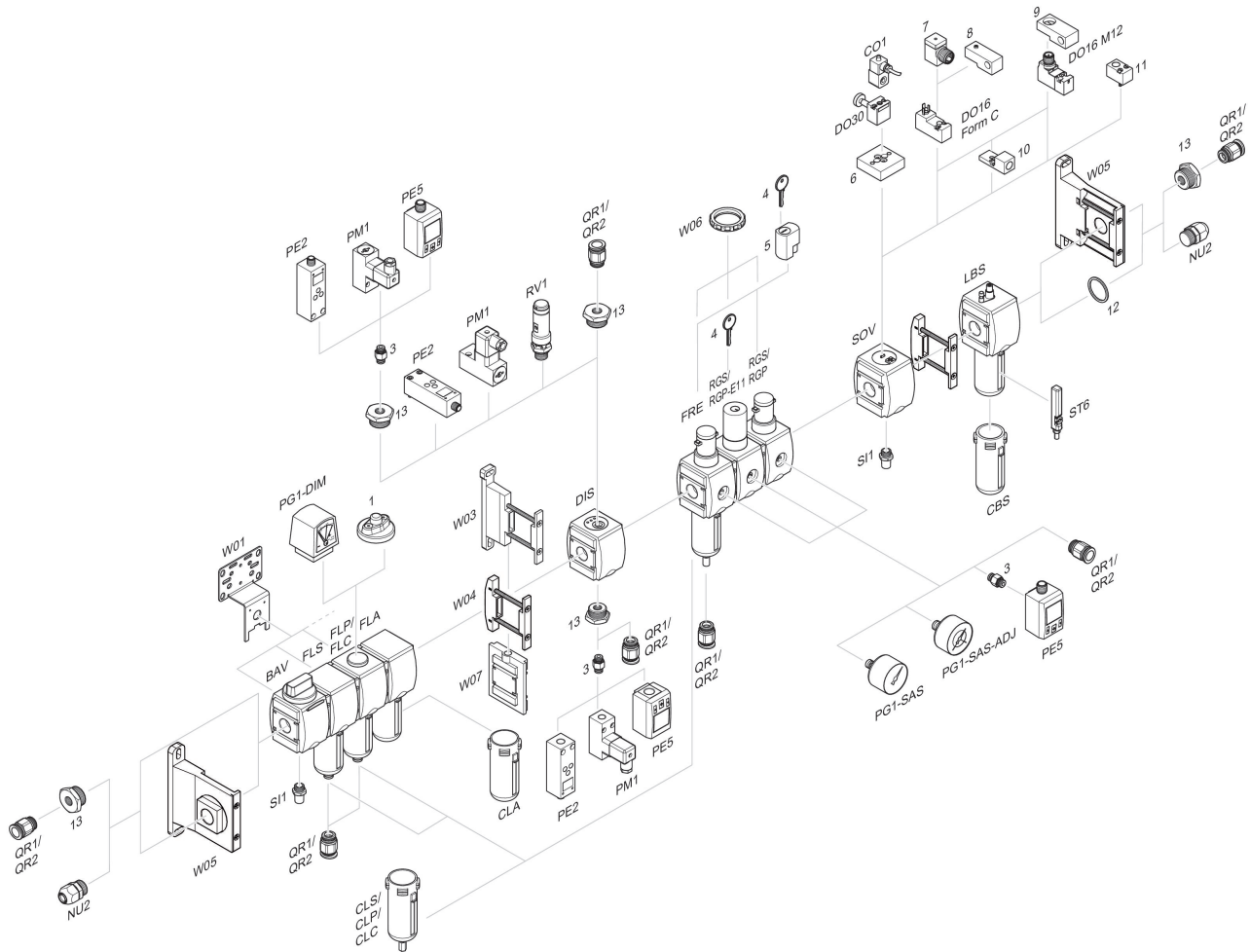
p1 = Working pressure p2 = Secondary pressure qn = Nominal flow

Lubricator activation margin



p1 = working pressure qn = nominal flow

Accessories overview



1 = contamination display 3 = Double nipple 4 = Key for E11 locking 5 = mortise lock 6 = Transition plate DO30 7 = Adapter, Series CON-VP 8 = Mounting aid DO16, form C 9 = Mounting aid DO16, M12 10 = Adapter for external pilot air 11 = Adapter pneumatic operation 12 = Sealing ring 13 = Reducing nipple