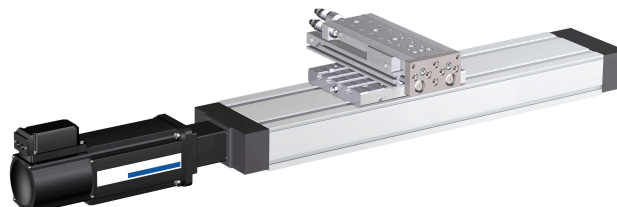


## AVENTICS Series Easy-2-Combine Interface

The AVENTICS Easy-2-Combine standardized mounting interface with interlocking connections make it possible to combine the mini slide, rodless cylinders and rotary modules into multi-axis systems without additional connection plates. This simplifies machine design and construction and saves time and money.



## Technical data

Industry

Industrial

For series

CKK/CKR  
CKP  
MSC

Easy2Combine basic

RTC-HD 16  
RTC-HD 25

Easy2Combine add-on part

MSC-16

Easy2Combine kit

CK2-LI-06

Weight

0.02 kg

## Material

Material centering sleeve

Stainless Steel

Connection plate material

Aluminum

Screws material

Steel, chrome-plated

Material T-groove nut

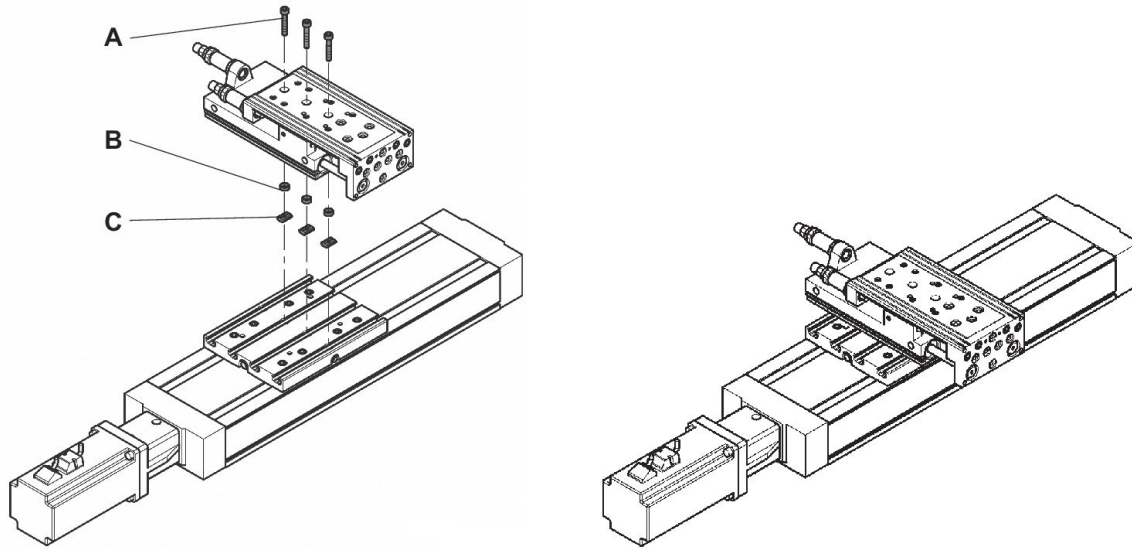
Stainless Steel

Steel, chrome-plated

Part No.

R412008670

## slide mounting: transverse



Scope of delivery: A) screws B) centering sleeves C) sliding blocks

Easy2Combine kit	A 1) 2)	B	C
CK2-LI-06	2 x M5x26,5	2 x Ø 9	2 x N6 / M5
CK2-LI-07	2 x M6x32	2 x Ø 12	2 x N8 / M6

1) tightening torque M4 = 3,5 Nm ± 10%, M5 = 6,0 Nm ± 10%  
 2) ISO 4762:2004