

R412007340

---

## Series AS3

Qn = 14500 l/min

### Technical data

Industry	Industrial
Parts	Reservoir
Reservoir	reservoir, polycarbonate, with PA protective guard
Filter reservoir volume	49 cm <sup>3</sup>
Condensate drain	fully automatic, closed without pressure
Protective guard	with protective guard
Min. working pressure	0 bar
Max. working pressure	16 bar
Min. ambient temperature	-10 °C
Max. ambient temperature	50 °C
Min. medium temperature	-10 °C
Max. medium temperature	50 °C
Medium	Compressed air
Weight	0.116 kg

### Material

Material reservoir	Polycarbonate
Material protective guard	Polyamide
Seal material	Acrylonitrile butadiene rubber
Part No.	R412007340

### Technical information

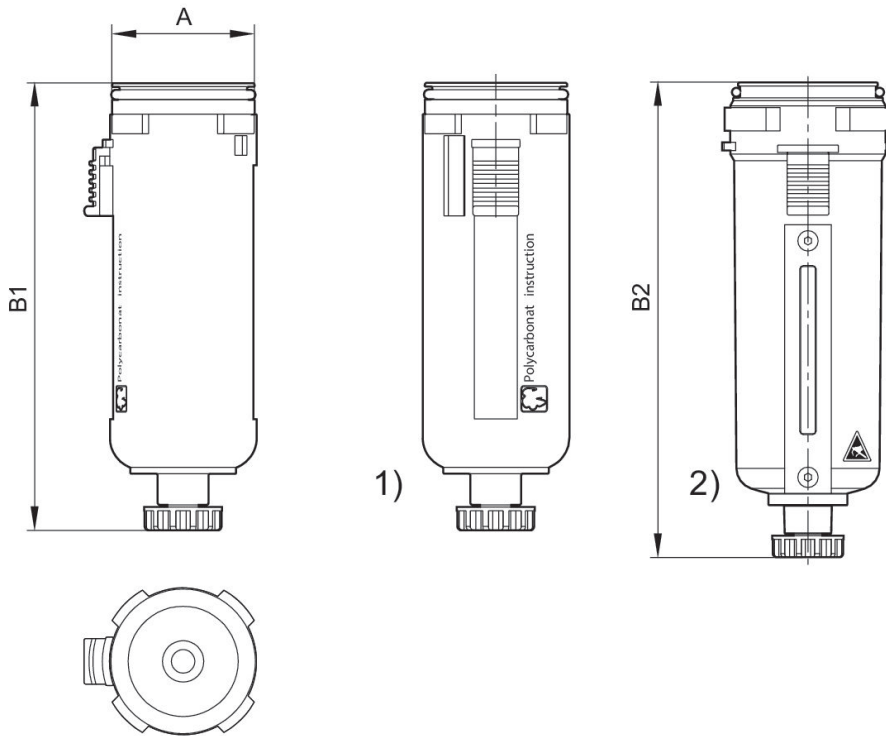
The pressure dew point must be at least 15 °C less than ambient and medium temperature and may not exceed 3 °C.

The oil content of compressed air must remain constant during the life cycle.

Use only the approved oils from AVENTICS. Further information can be found in the "Technical information" document (available in <https://www.emerson.com/en-us/support>).

### Dimensions in mm

Fig. 1



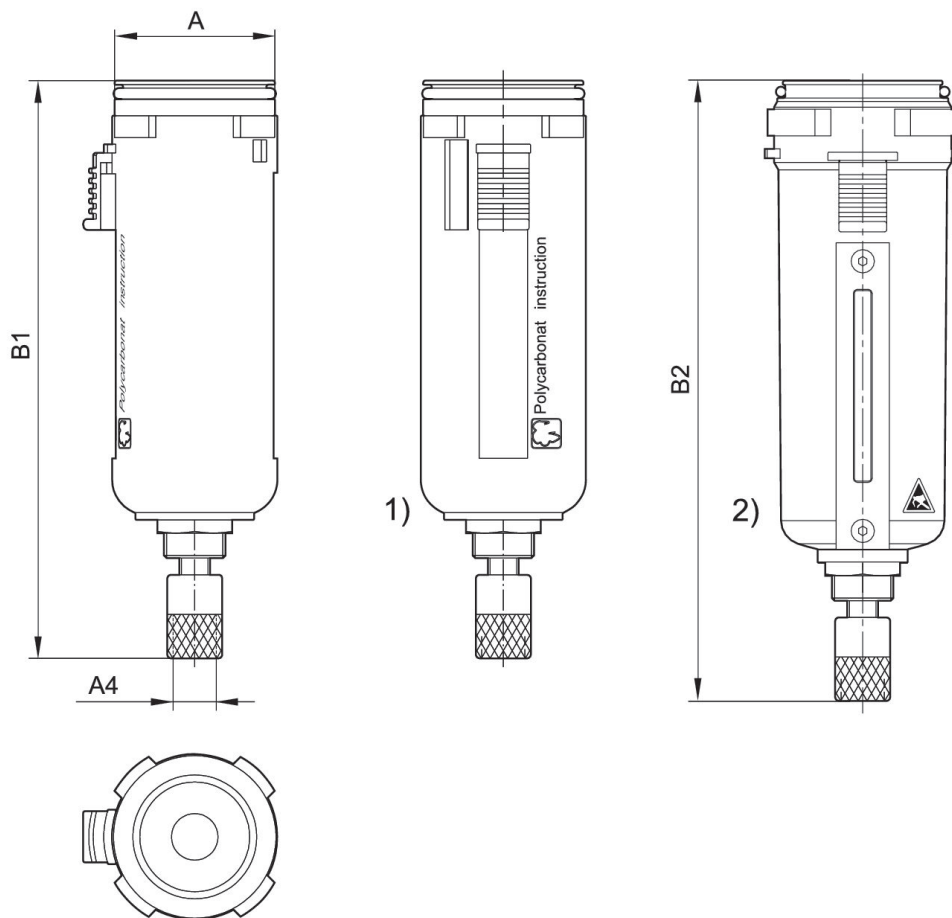
- 1) Plastic reservoir and protective guard with window
- 2) Metal reservoir with inspection glass

## Dimensions in mm

Part No.	A	B1	B2
R412007338	43.8	128.5	-
R412007344	43.8	-	132.5

R412007340

## Dimensions in mm



- 1) Plastic reservoir and protective guard with window  
 2) Metal reservoir with inspection glass

## Dimensions in mm

Part No.	A4	A	B1	B2
R412007339	G 1/8	43.8	145	-
R412007340	G 1/8	43.8	145	-
R412007345	G 1/8	43.8	-	149,5
R412007346	G 1/8	43.8	-	149,5