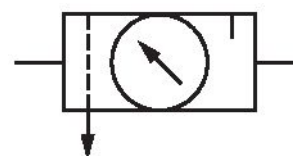


Air preparation unit, 2-part, Series AS3-ACD R412007308

General series information Series AS3

- The AVENTICS Series AS3 is a modular, versatile maintenance unit for universal application. This Series offers compact dimensions, is highly efficient, lightweight and easy-to-use. The AVENTICS Series AS guarantees reliability, safety, and efficiency with a simplified assembly and maintenance efforts.



Technical data

Industry
Industrial

Parts
Air preparation units
Filter pressure regulator
Lubricator

Reservoir
reservoir, polycarbonate, with PA protective guard

Port
G 1/2

Nominal flow Qn
3500 l/min

Filter porosity
5 µm

Condensate drain
fully automatic, open without pressure

Pressure gauge
with pressure gauge

Working pressure min.
1.5 bar

Working pressure max
16 bar

Min. ambient temperature
-10 °C

Max. ambient temperature
50 °C

Regulation range min.
0.5 bar

Regulation range max.
8 bar

Lock type
for padlocks

Type
2-part

Type
Can be assembled into blocks

Pressure supply single	Max. achievable compressed air class acc. to ISO 8573-1:2010
Mounting orientation vertical	6 : 7 :-
Regulator type Diaphragm-type pressure regulator	Lubricator reservoir volume 80 cm ³
Regulator function with relieving air exhaust	Type of filling Semi-automatic oil filling during operation Manual oil filling
Filter element exchangeable	Medium Compressed air Neutral gases
Filter reservoir volume 49 cm ³	Weight 1.07 kg

Material

Housing material Polyamide	Material reservoir Polycarbonate
Seal material Acrylonitrile butadiene rubber	Material protective guard Polyamide
Material front plate Acrylonitrile butadiene styrene	Material filter insert Polyethylene
Material threaded bushing Die cast zinc	Part No. R412007308

Technical information

The pressure dew point must be at least 15 °C under ambient and medium temperature and may not exceed 3 °C .

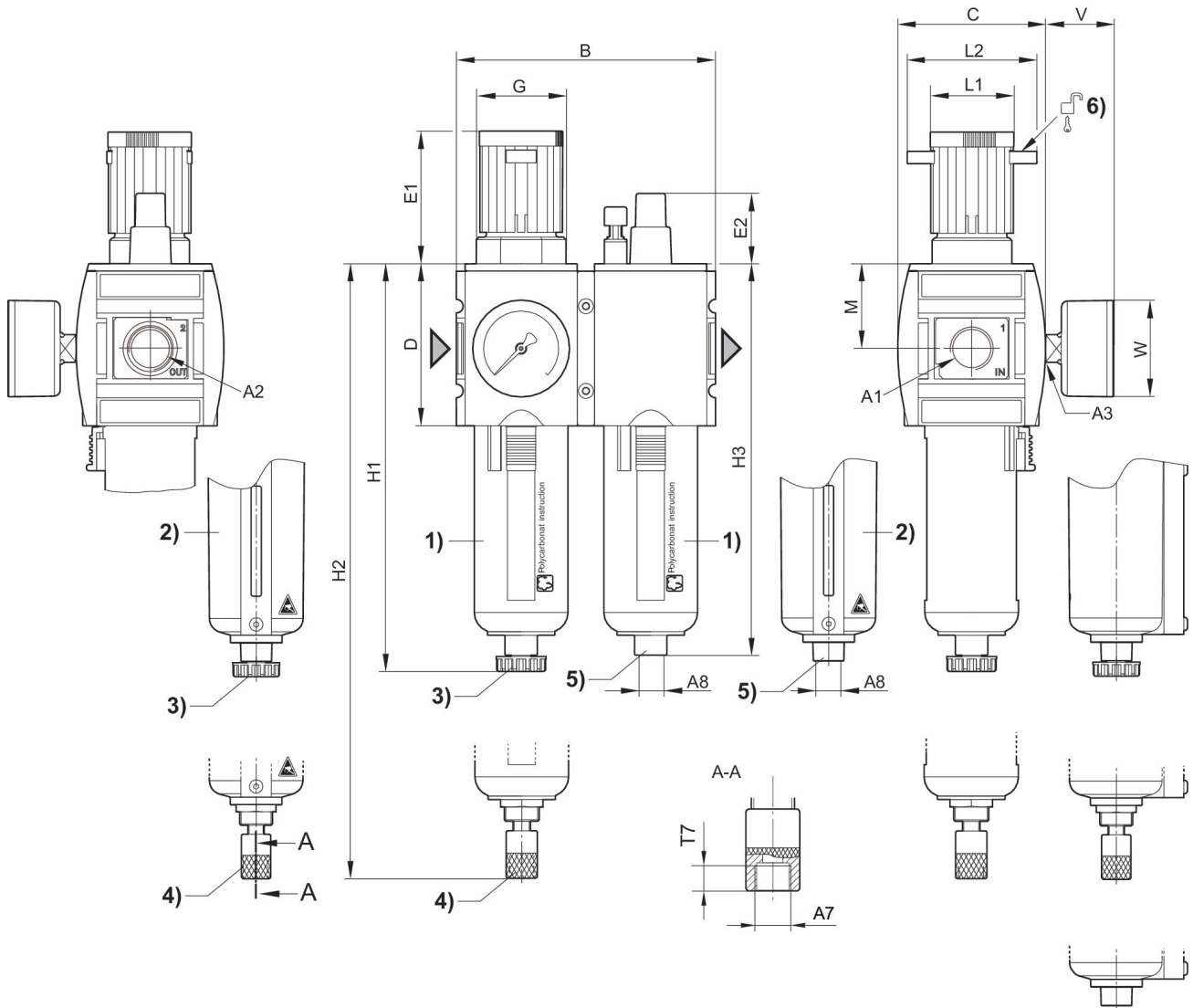
Note: Polycarbonate reservoirs are susceptible to solvents, supplementary information can be found at "Customer information".

A change in the flow direction (from air supply on the left to air supply on the right) occurs by rotating installation by 180° about the vertical axis. Please see the operating instructions for further details.

Also suitable for separation of fluid oil or water due to the design.

Nominal flow Qn with secondary pressure p2 = 6 bar at $\Delta p = 1$ bar

Dimensions



A1 = input A2 = output A3 = pressure gauge connection
A7 = condensate drain

- 1) Plastic reservoir and protective guard with window
- 2) Metal reservoir with level indicator
- 3) Semi-automatic condensate drain
- 4) Fully automatic condensate drain
- 5) Port for semi-automatic oil filling 6) Mounting option for padlocks, max. shackle \varnothing 8

Dimensions in mm

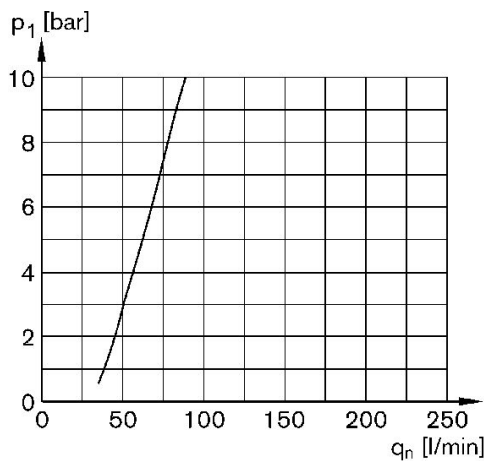
Part No.	A1	A2	A3	A7	A8	B	C	D	E1
R412007298	G 3/8	G 3/8	G 1/4	G 1/8	G 1/8	126	74	80	63.5
R412007299	G 3/8	G 3/8	G 1/4	G 1/8	G 1/8	126	74	80	63.5
R412007307	G 1/2	G 1/2	G 1/4	G 1/8	G 1/8	126	74	80	63.5
R412007308	G 1/2	G 1/2	G 1/4	G 1/8	G 1/8	126	74	80	63.5
R412007309	G 1/2	G 1/2	G 1/4	G 1/8	G 1/8	126	74	80	63.5
R412007313	G 1/2	G 1/2	G 1/4	G 1/8	G 1/8	126	74	80	63.5

Part No.	A1	A2	A3	A7	A8	B	C	D	E1
R412007314	G 1/2	G 1/2	G 1/4	G 1/8	G 1/8	126	74	80	63.5
R412007315	G 1/2	G 1/2	G 1/4	G 1/8	G 1/8	126	74	80	63.5

Part No.	E2	G	H1	H2	H3	M	L1	L2	T7
R412007298	27.5	M42x1,5	189.5	206	183	42.5	41	60	8.5
R412007299	27.5	M42x1,5	189.5	206	183	42.5	41	60	8.5
R412007307	27.5	M42x1,5	189.5	206	183	42.5	41	60	8.5
R412007308	27.5	M42x1,5	189.5	206	183	42.5	41	60	8.5
R412007309	27.5	M42x1,5	189.5	206	183	42.5	41	60	8.5
R412007313	27.5	M42x1,5	189.5	206	183	42.5	41	60	8.5
R412007314	27.5	M42x1,5	189.5	206	183	42.5	41	60	8.5
R412007315	27.5	M42x1,5	189.5	206	183	42.5	41	60	8.5

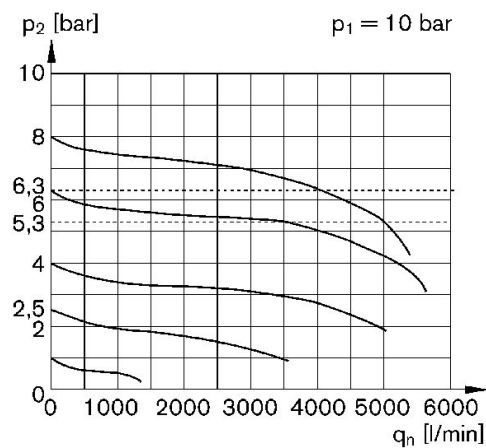
Part No.	V	W
R412007298	33	50
R412007299	33	50
R412007307	33	50
R412007308	33	50
R412007309	33	50
R412007313	33	50
R412007314	33	50
R412007315	33	50

Lubricator activation margin



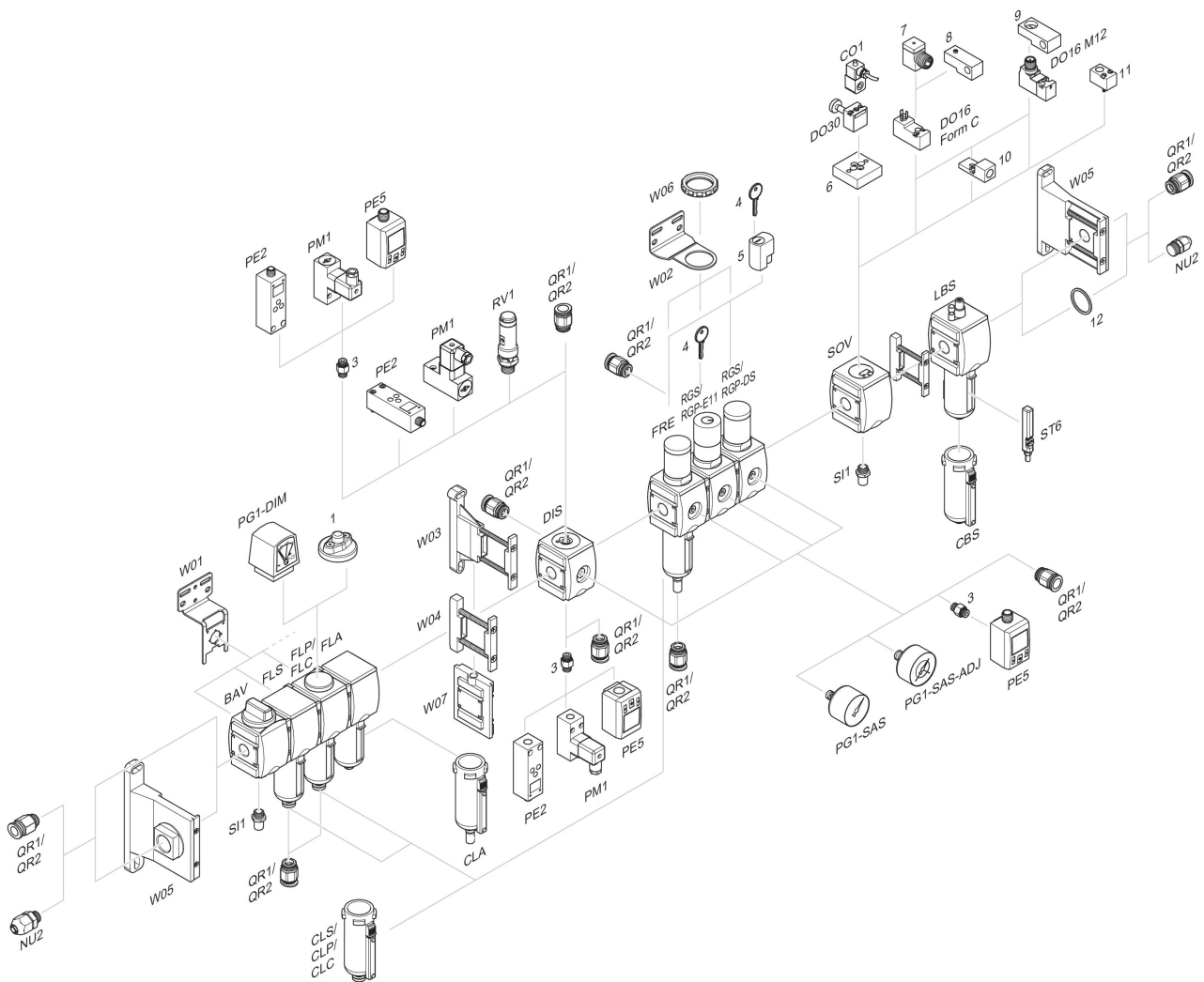
p1 = working pressure qn = nominal flow

Flow rate characteristic (p2: 0,5 - 8 bar)



p1 = Working pressure p2 = Secondary pressure qn = Nominal flow

Accessories overview



1 = contamination display 3 = Double nipple 4 = Key for E11 locking 5 = mortise lock 6 = Transition plate DO30 7 = Adapter, Series CON-VP 8 = Mounting aid DO16, form C 9 = Mounting aid DO16, M12 10 = Adapter for external pilot air 11 = Adapter pneumatic operation 12 = Sealing ring