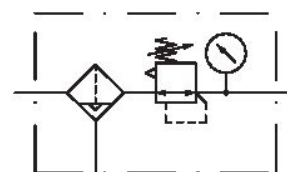


# Filter pressure regulator, Series AS3-FRE

## R412007210

### General series information Series AS3

- The AVENTICS Series AS3 is a modular, versatile maintenance unit for universal application. This Series offers compact dimensions, is highly efficient, lightweight and easy-to-use. The AVENTICS Series AS guarantees reliability, safety, and efficiency with a simplified assembly and maintenance efforts.



### Technical data

**Industry**  
Industrial

**Parts**  
Filter pressure regulator

**Reservoir**  
reservoir, polycarbonate, with PA protective guard

**Port**  
G 1/2

**Nominal flow Qn**  
5100 l/min

**Filter porosity**  
5 µm

**Condensate drain**  
fully automatic, open without pressure

**Pressure gauge**  
with pressure gauge

**Working pressure min.**  
1.5 bar

**Working pressure max**  
16 bar

**Min. ambient temperature**  
-10 °C

**Max. ambient temperature**  
50 °C

**Regulation range min.**  
0.5 bar

**Regulation range max.**  
8 bar

**Lock type**  
for padlocks

**Type**  
1-part

**Type**  
Can be assembled into blocks

**Pressure supply**  
single

Mounting orientation  
vertical

Regulator type  
Diaphragm-type pressure regulator

Regulator function  
with relieving air exhaust

Filter element  
exchangeable

Filter reservoir volume  
49 cm<sup>3</sup>

Max. achievable compressed air class acc. to  
ISO 8573-1:2010

6 : 7 : -

Medium  
Compressed air  
Neutral gases

Weight  
0.707 kg

## Material

Housing material  
Polyamide

Seal material  
Acrylonitrile butadiene rubber

Material front plate  
Acrylonitrile butadiene styrene

Material threaded bushing  
Die cast zinc

Material reservoir  
Polycarbonate

Material protective guard  
Polyamide

Material filter insert  
Polyethylene

Part No.  
R412007210

## Technical information

The pressure dew point must be at least 15 °C under ambient and medium temperature and may not exceed 3 °C .

Note: Polycarbonate reservoirs are susceptible to solvents, supplementary information can be found at "Customer information".

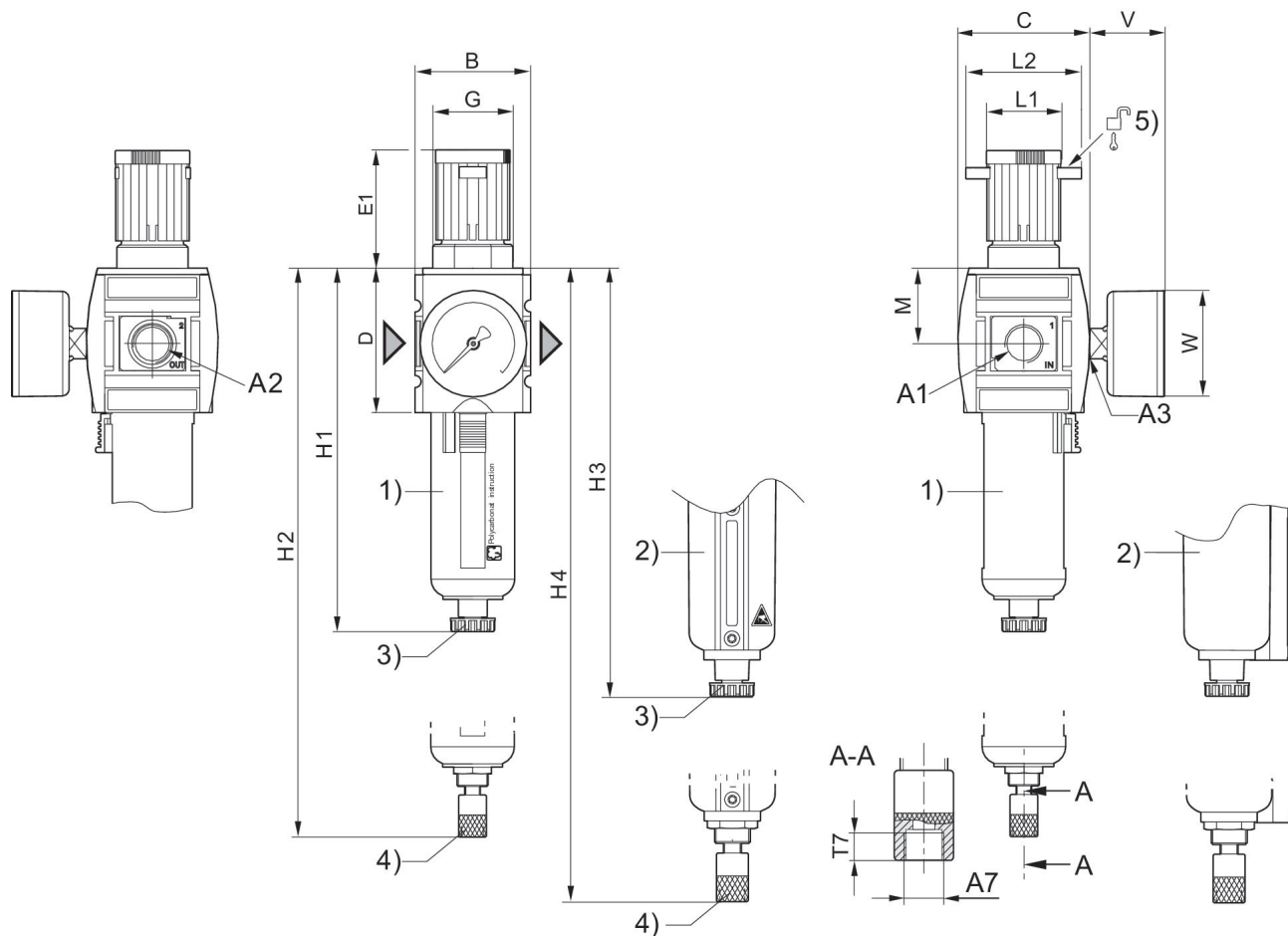
A change in the flow direction (from air supply on the left to air supply on the right) occurs by rotating installation by 180° about the vertical axis. Please see the operating instructions for further details.

Also suitable for separation of fluid oil or water due to the design.

Nominal flow Qn with secondary pressure p2 = 6 bar at Δp = 1 bar

Pressure gauge enclosed separately

## Dimensions



A1 = input A2 = output A3 = pressure gauge connection  
A7 = condensate drain

- 1) Plastic reservoir and protective guard with window
- 2) Metal reservoir with level indicator
- 3) Semi-automatic condensate drain
- 4) Fully automatic condensate drain
- 5) Mounting option for padlocks, max. shackle  $\varnothing$  8

## Dimensions in mm

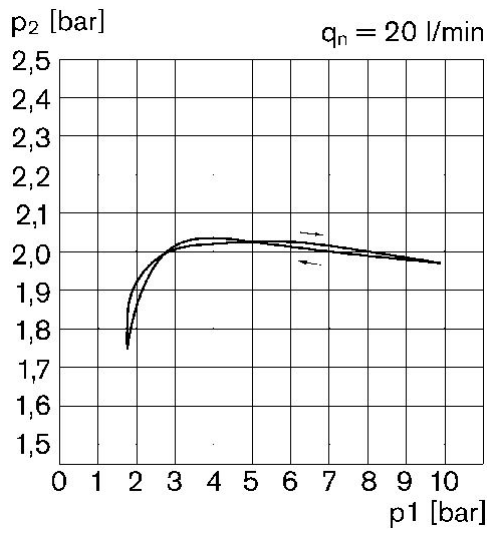
Part No.	A1	A2	A3	A7	B	C	D	E1	G
R412007200	G 3/8	G 3/8	G 1/4	G 1/8	63	74	80	63.5	M42x1,5
R412007201	G 3/8	G 3/8	G 1/4	G 1/8	63	74	80	63.5	M42x1,5
R412007202	G 3/8	G 3/8	G 1/4	G 1/8	63	74	80	63.5	M42x1,5
R412007206	G 3/8	G 3/8	G 1/4	G 1/8	63	74	80	63.5	M42x1,5
R412007207	G 3/8	G 3/8	G 1/4	G 1/8	63	74	80	63.5	M42x1,5
R412007208	G 3/8	G 3/8	G 1/4	G 1/8	63	74	80	63.5	M42x1,5
R412007209	G 1/2	G 1/2	G 1/4	G 1/8	63	74	80	63.5	M42x1,5
R412007210	G 1/2	G 1/2	G 1/4	G 1/8	63	74	80	63.5	M42x1,5
R412007211	G 1/2	G 1/2	G 1/4	G 1/8	63	74	80	63.5	M42x1,5
R412007215	G 1/2	G 1/2	G 1/4	G 1/8	63	74	80	63.5	M42x1,5
R412007216	G 1/2	G 1/2	G 1/4	G 1/8	63	74	80	63.5	M42x1,5

Part No.	A1	A2	A3	A7	B	C	D	E1	G
R412007217	G 1/2	G 1/2	G 1/4	G 1/8	63	74	80	63.5	M42x1,5
R412007237	G 1/2	G 1/2	G 1/4	G 1/8	63	74	80	63.5	M42x1,5

Part No.	H1	H2	H3	H4	L1	L2	M	T7	V
R412007200	189.5	--	--	--	41	60	42.5	8.5	33
R412007201	--	206	--	--	41	60	42.5	8.5	33
R412007202	--	206	--	--	41	60	42.5	8.5	33
R412007206	--	--	193.5	--	41	60	42.5	8.5	33
R412007207	--	--	--	210.5	41	60	42.5	8.5	33
R412007208	--	--	--	210.5	41	60	42.5	8.5	33
R412007209	189.5	--	--	--	41	60	42.5	8.5	33
R412007210	--	206	--	--	41	60	42.5	8.5	33
R412007211	--	206	--	--	41	60	42.5	8.5	33
R412007215	--	--	193.5	--	41	60	42.5	8.5	33
R412007216	--	--	--	210.5	41	60	42.5	8.5	33
R412007217	--	--	--	210.5	41	60	42.5	8.5	33
R412007237	--	206	--	--	41	60	42.5	8.5	33

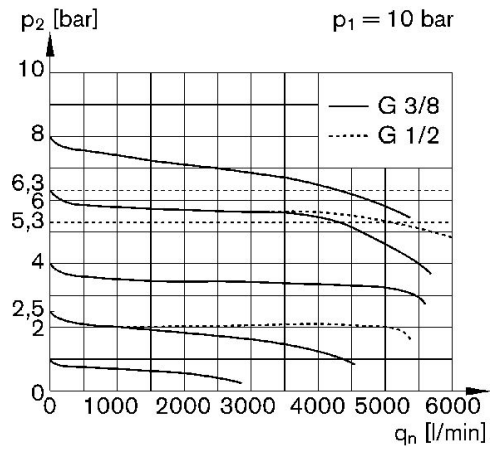
Part No.	W
R412007200	50
R412007201	50
R412007202	50
R412007206	50
R412007207	50
R412007208	50
R412007209	50
R412007210	50
R412007211	50
R412007215	50
R412007216	50
R412007217	50
R412007237	50

### Pressure characteristics curve



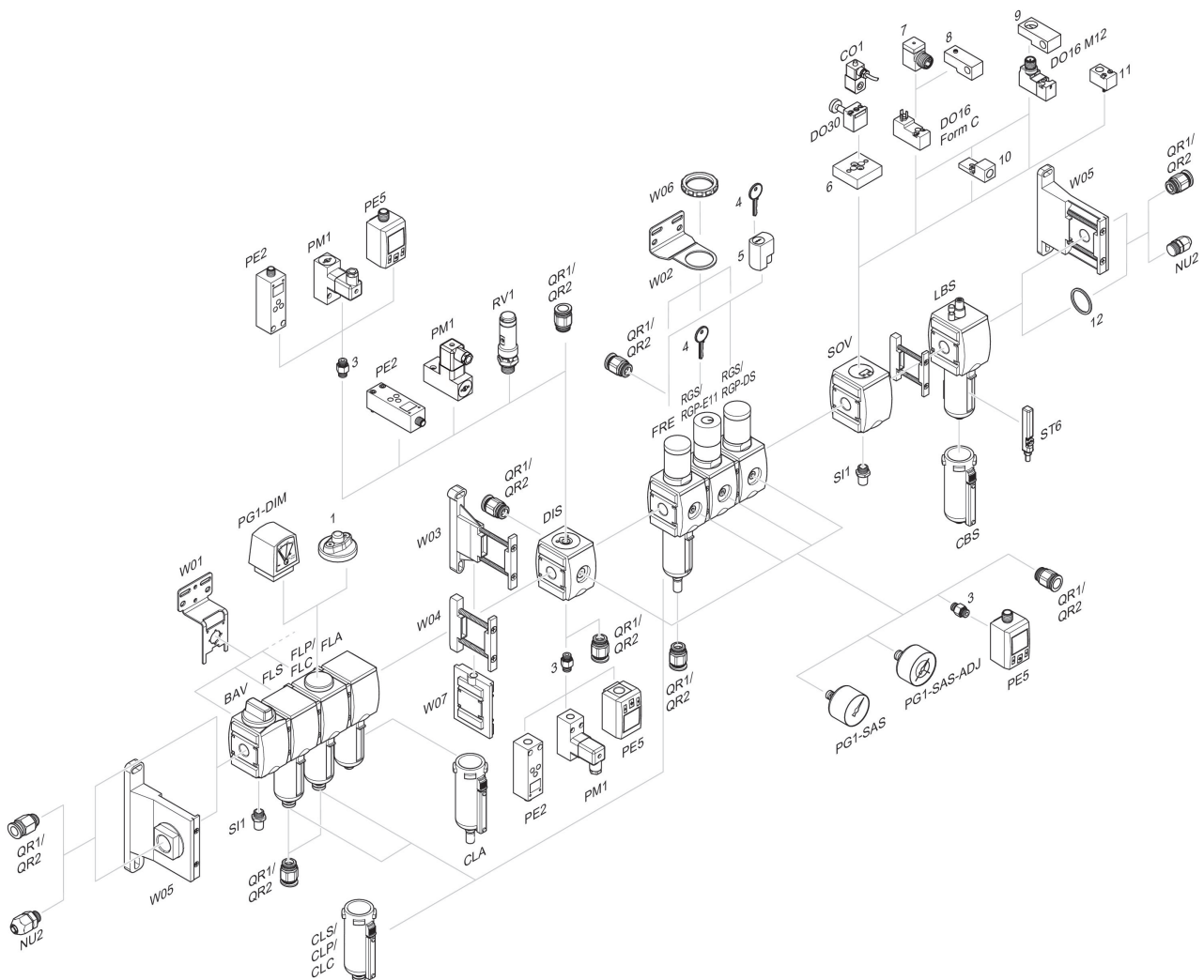
$p_1$  = Working pressure  $p_2$  = Secondary pressure  $q_n$  = Nominal flow

### Flow rate characteristic ( $p_2$ : 0,5 - 8 bar)



$p_1$  = Working pressure  $p_2$  = Secondary pressure  $q_n$  = Nominal flow

## Accessories overview



1 = contamination display 3 = Double nipple 4 = Key for E11 locking 5 = mortise lock 6 = Transition plate DO30 7 = Adapter, Series CON-VP 8 = Mounting aid DO16, form C 9 = Mounting aid DO16, M12 10 = Adapter for external pilot air 11 = Adapter pneumatic operation 12 = Sealing ring