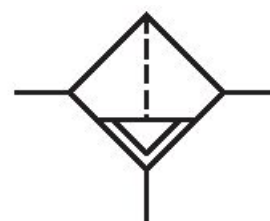


Filter, Series AS3-FLS

R412007009

General series information Series AS3

- The AVENTICS Series AS3 is a modular, versatile maintenance unit for universal application. This Series offers compact dimensions, is highly efficient, lightweight and easy-to-use. The AVENTICS Series AS guarantees reliability, safety, and efficiency with a simplified assembly and maintenance efforts.



Technical data

Industry
Industrial

Type
Standard filter

Parts
Filter

Reservoir
reservoir, polycarbonate, with PA protective guard

Port
G 1/2

Nominal flow Qn
3500 l/min

Condensate drain
semi-automatic, open without pressure

Working pressure min.
1.5 bar

Working pressure max
16 bar

Min. ambient temperature
-10 °C

Max. ambient temperature
50 °C

Medium
Compressed air
Neutral gases

Max. achievable compressed air class acc. to
ISO 8573-1:2010
6 : 7 :-

Filter reservoir volume
49 cm³

Filter element
exchangeable

Weight
0.361 kg

Mounting orientation
vertical

Type
Can be assembled into blocks

Material

Housing material
Polyamide

Material front plate
Acrylonitrile butadiene styrene

Seal material
Acrylonitrile butadiene rubber

Material threaded bushing
Die cast zinc

Material reservoir
Polycarbonate

Material protective guard
Polyamide

Material filter insert
Polyethylene

Part No.
R412007009

Technical information

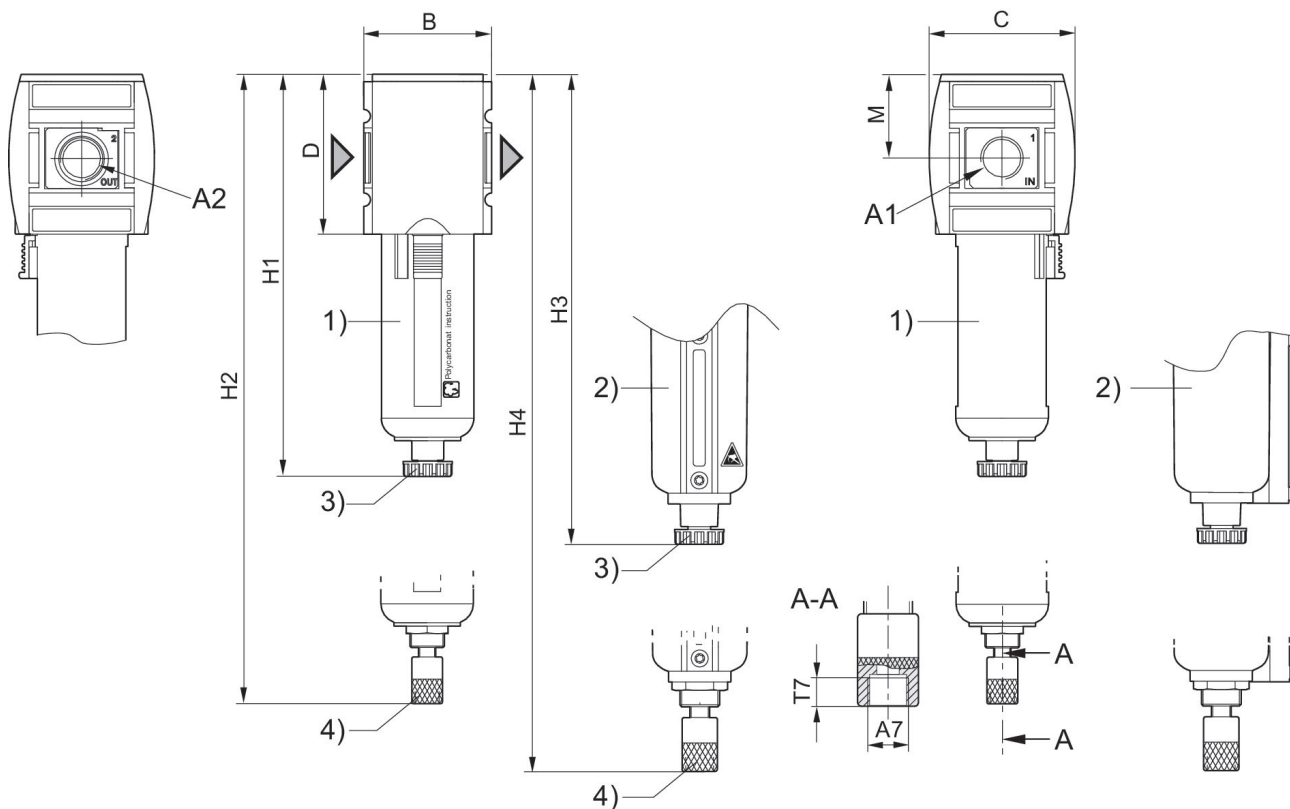
The pressure dew point must be at least 15 °C under ambient and medium temperature and may not exceed 3 °C .

Note: Polycarbonate reservoirs are susceptible to solvents, supplementary information can be found at "Customer information".

A change in the flow direction (from air supply on the left to air supply on the right) occurs by rotating installation by 180° about the vertical axis. Please see the operating instructions for further details.

Also suitable for separation of fluid oil or water due to the design.

Dimensions



A1 = input A2 = output

A7 = condensate drain

1) Plastic reservoir and protective guard with window

2) Metal reservoir with level indicator

3) Semi-automatic condensate drain

4) Fully automatic condensate drain

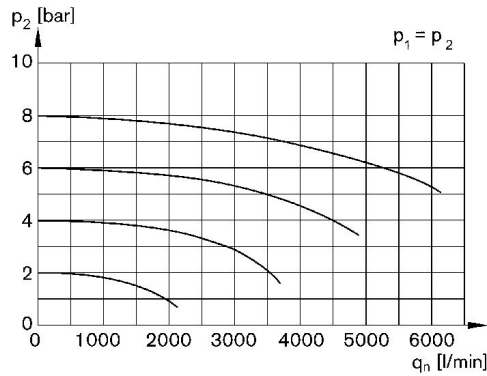
Dimensions in mm

Part No.	A1	A2	A7	B	C	D	H1	H2	H3
R412007000	G 3/8	G 3/8	G 1/8	63	74	80	189.5	206	193.5
R412007001	G 3/8	G 3/8	G 1/8	63	74	80	189.5	206	193.5
R412007002	G 3/8	G 3/8	G 1/8	63	74	80	189.5	206	193.5
R412007006	G 3/8	G 3/8	G 1/8	63	74	80	189.5	206	193.5
R412007007	G 3/8	G 3/8	G 1/8	63	74	80	189.5	206	193.5
R412007008	G 3/8	G 3/8	G 1/8	63	74	80	189.5	206	193.5
R412007009	G 1/2	G 1/2	G 1/8	63	74	80	189.5	206	193.5
R412007010	G 1/2	G 1/2	G 1/8	63	74	80	189.5	206	193.5
R412007011	G 1/2	G 1/2	G 1/8	63	74	80	189.5	206	193.5
R412007015	G 1/2	G 1/2	G 1/8	63	74	80	189.5	206	193.5
R412007016	G 1/2	G 1/2	G 1/8	63	74	80	189.5	206	193.5
R412007017	G 1/2	G 1/2	G 1/8	63	74	80	189.5	206	193.5

Part No.	H4	M	T7
R412007000	210.5	42.5	8.5

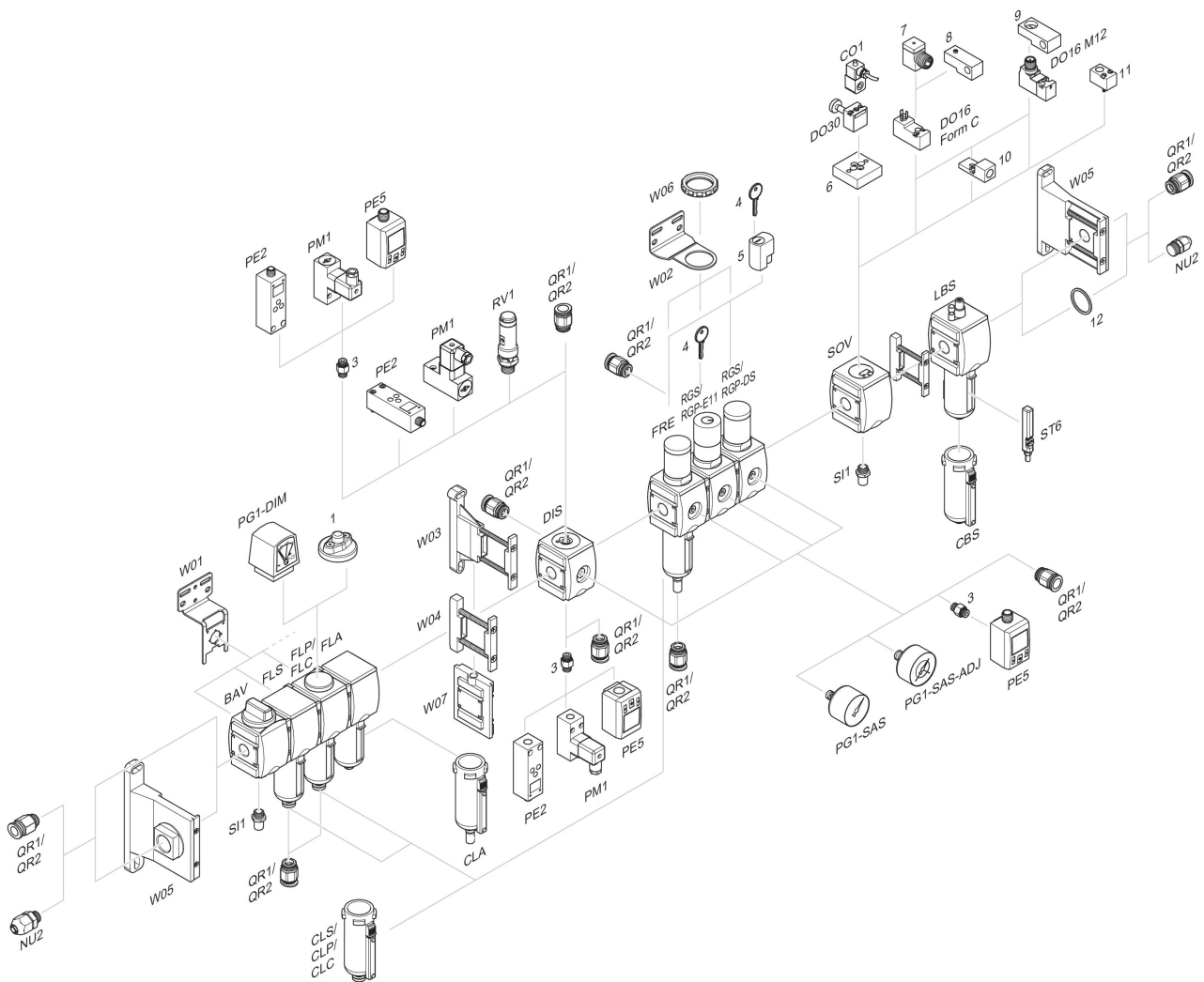
Part No.	H4	M	T7
R412007001	210.5	42.5	8.5
R412007002	210.5	42.5	8.5
R412007006	210.5	42.5	8.5
R412007007	210.5	42.5	8.5
R412007008	210.5	42.5	8.5
R412007009	210.5	42.5	8.5
R412007010	210.5	42.5	8.5
R412007011	210.5	42.5	8.5
R412007015	210.5	42.5	8.5
R412007016	210.5	42.5	8.5
R412007017	210.5	42.5	8.5

Flow rate characteristic, $p_2 = 0,05 - 7$ bar



p_1 = Working pressure p_2 = Secondary pressure q_n = Nominal flow

Accessories overview



1 = contamination display 3 = Double nipple 4 = Key for E11 locking 5 = mortise lock 6 = Transition plate DO30 7 = Adapter, Series CON-VP 8 = Mounting aid DO16, form C 9 = Mounting aid DO16, M12 10 = Adapter for external pilot air 11 = Adapter pneumatic operation 12 = Sealing ring