

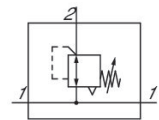
# Precision pressure regulator, Series AS2- RGP-...-DS

2024-03-19

R412006169

## Series AS2

The AVENTICS Series AS2 is a modular, versatile maintenance unit for universal application. This Series offers compact dimensions, is highly efficient, lightweight and easy-to-use. The AVENTICS Series AS guarantees reliability, safety, and efficiency with a simplified assembly and maintenance efforts.



## Technical data

Industry	Industrial
Function	Precision pressure regulator
Parts	Precision pressure regulator with continuous pressure supply without pressure gauge
Pressure gauge	without pressure gauge
Mounting orientation	Any
Regulator type	Diaphragm-type pressure regulator
Port	G 3/8
Nominal flow $Q_n$	2700 l/min
Min. regulation range	0.5 bar
Max. regulation range	8 bar
Min. working pressure	0.5 bar
Max. working pressure	16 bar
Min. ambient temperature	-10 °C
Max. ambient temperature	50 °C
Activation	Mechanical
Regulator function	with relieving air exhaust
Regulator type	Can be assembled into blocks
Pressure supply	double
Lock type	lockable
with continuous pressure supply	with continuous pressure supply
Max. internal air consumption $q_v$	2.6 l/min
Max. pressure gauge $\varnothing$ in blocked state	50 mm
Medium	Compressed air

# Precision pressure regulator, Series AS2-RGP-...-DS

2024-03-19

R412006169

Neutral gases

---

Weight

0.248 kg

## Material

Housing material

Polyamide

Material front plate

Acrylonitrile butadiene styrene

Seal material

Acrylonitrile butadiene rubber

Material threaded bushing

Die cast zinc

Part No.

R412006169

## Technical information

The pressure dew point must be at least 15 °C less than ambient and medium temperature and may not exceed 3 °C.

The rear pressure gauge connection on the pressure regulator is closed with a blanking plug, the front connection is open. Depending on the customer application, a second blanking plug may be necessary. Please order separately (see accessories).

Nominal flow  $Q_n$  with secondary pressure  $p_2 = 6$  bar at  $\Delta p = 1$  bar

Recommended pre-filter: 5  $\mu$ m

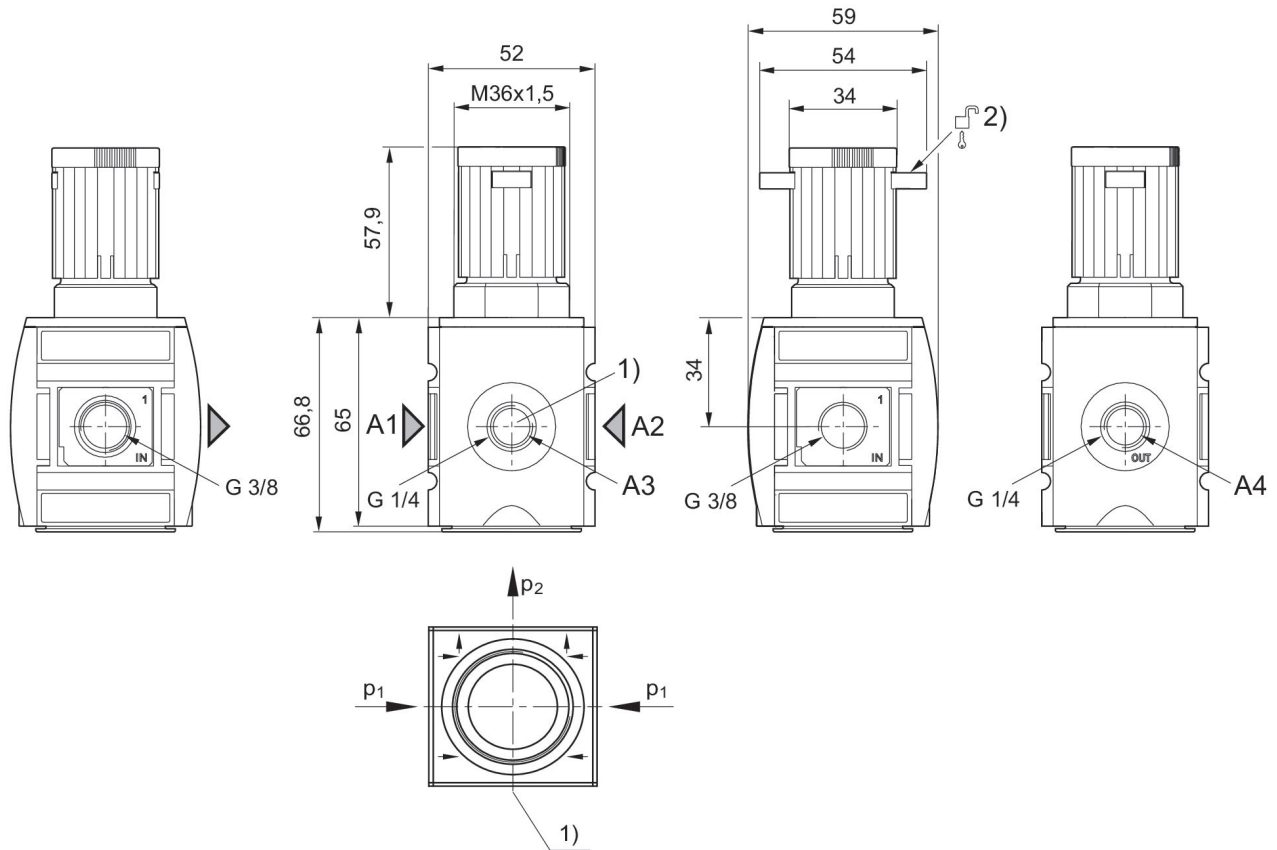
Order pressure gauge separately

# Precision pressure regulator, Series AS2- RGP-...-DS

2024-03-19

R412006169

Dimensions in mm



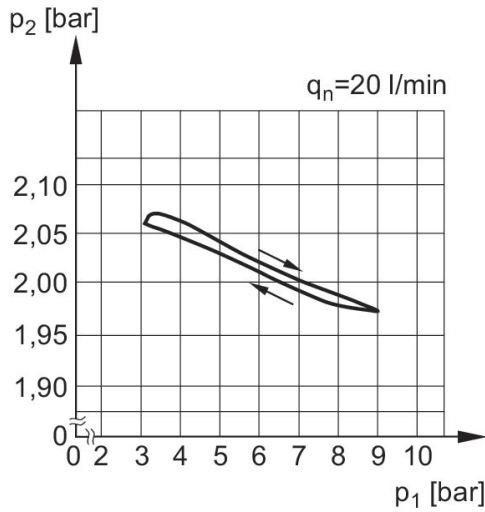
- A1 = input
- A2 = output
- A3 = pressure gauge connection
- A4 = output
- 1) Pressure gauge connection
- 2) Mounting option for padlocks, max. shackle Ø 8

# Precision pressure regulator, Series AS2-RGP-...-DS

2024-03-19

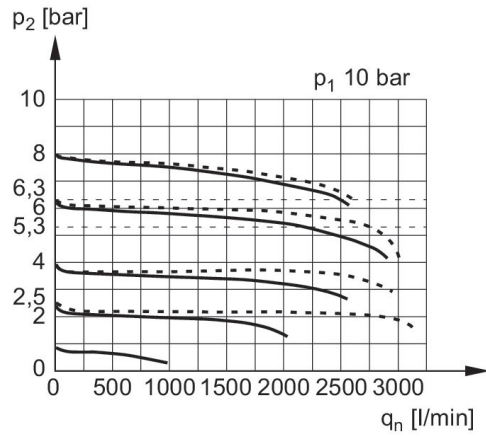
R412006169

## Pressure characteristics curve



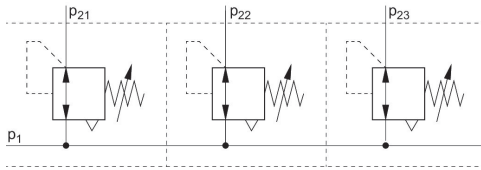
p1 = Working pressure  
p2 = Secondary pressure  
qn = Nominal flow

## Flow rate characteristic (p2: 0,5 - 8 bar)



p1 = Working pressure  
p2 = Secondary pressure  
qn = Nominal flow

## Application example

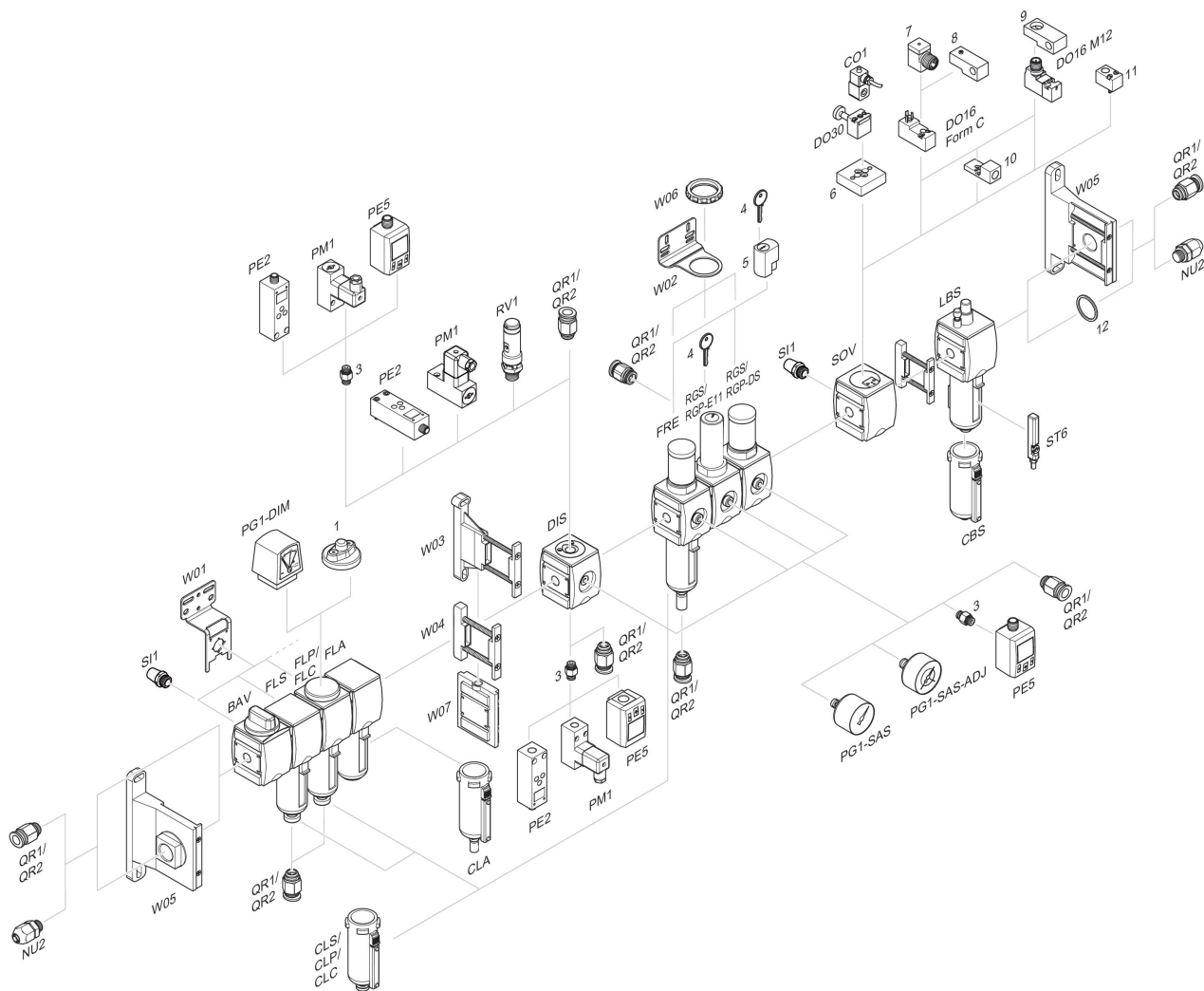


p1 = Working pressure

# Precision pressure regulator, Series AS2- RGP-...-DS

2024-03-19

R412006169  
Accessories overview



1 = contamination display 3 = Double nipple 4 = Key for E11 locking 5 = mortise lock 6 = Transition plate DO30 7 = Adapter, Series CON-VP 8 = Mounting aid DO16, form C 9 = Mounting aid DO16, M12 10 = Adapter for external pilot air 11 = Adapter pneumatic operation 12 = Sealing ring