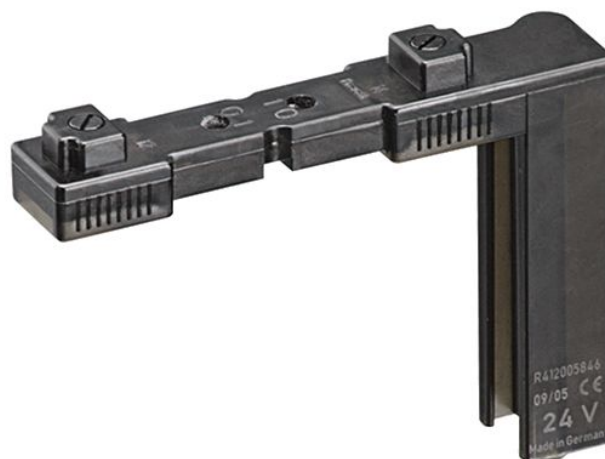


# Contact bridges, series CON-CB

R412005846

Contact bridges, series CON-CB

- Contact bridges to adapt electrically operated valves with form C plug connector
- Especially suited for series CD01-PA, 579/589
- Single connection via M12x1
- Snap Ø8



## Technical data

Industry  
Industrial

Number of solenoid coils  
2

Min. ambient temperature  
-15 °C

Max. ambient temperature  
50 °C

Protection class  
IP65

Electrical connection 1  
Plug

Number of poles  
4-pin

Cable exit  
straight

Cable exit angle  
180°

Electrical connection 2  
Socket

Electrical connection 2  
form C

Number of poles  
2-pin

Cable exit  
straight

Electrical connection 3  
Socket

Electrical connection 3  
form C

Number of poles  
2-pin

Cable exit  
straight

Operational voltage  
24 V

Operational voltage  
DC

DC operating voltage  
24 V

Voltage tolerance DC  
-10% / +10%

Valve LED status display  
Yellow

**Mounting screw**

M2.5 with slot

**Tightening torque for mounting screws [+0,05]**

0.25 Nm

**Weight**

0.03 kg

**Housing**

Polyester amide

**Seals**

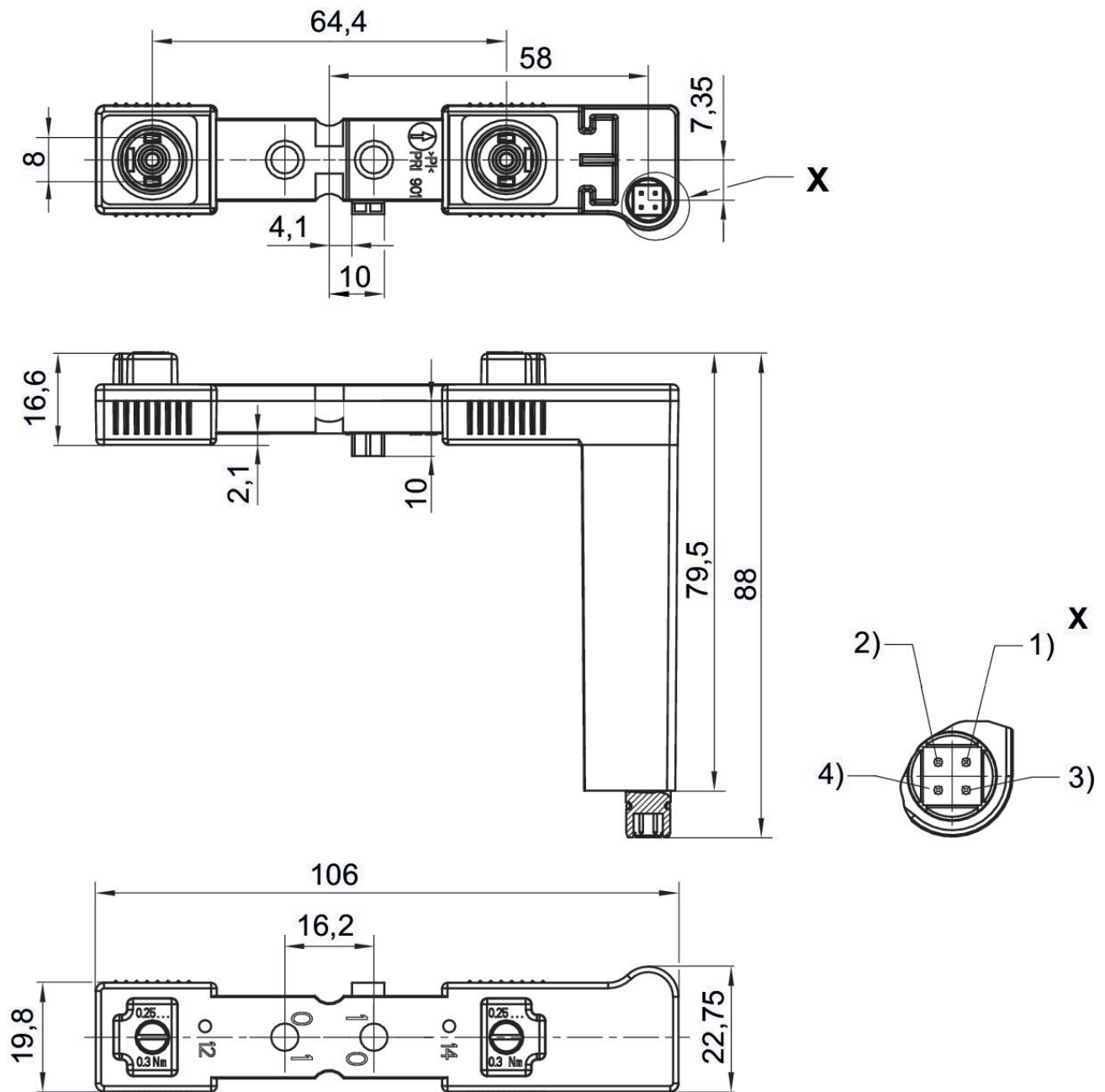
Fluorocaoutchouc

**Part No.**

R412005846

## Technical information

## Dimensions



Pin assignment: Pin 1: solenoid 14 Pin 2: solenoid 12 Pin 3: ground Pin 4: 0 V