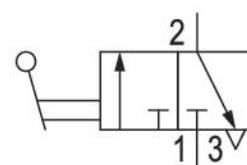
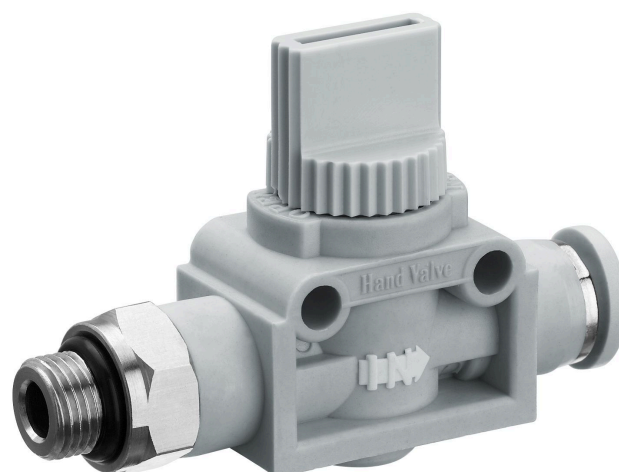


Series QR1-AGS

R412005471

General series information
AVENTICS Series QR1 Shut-off valves

- AVENTICS Series QR1 Shut-off valve are designed for safety-relevant processes, the valves enable manual blocking of the air supply to immediately stop the working stroke.



Technical data

Industry

Type

Medium

Compressed air connection 1

Compressed air connection type 1

Compressed air connection 2

Compressed air connection type 2

Note

Min. ambient temperature

Max. ambient temperature

Min. medium temperature

Max. medium temperature

Working pressure min.

Working pressure max

Industrial

Poppet valve

Compressed air

G 1/8

External thread

Ø 8

push-in fitting

Due to product optimisation, the delivered article may currently deviate from the dimensions shown.

0 °C

60 °C

0 °C

60 °C

0 bar

10 bar

Nominal flow Qn 1 to 2 550 l/min
 Delivery unit 5 piece
 Weight 0.033 kg

Material

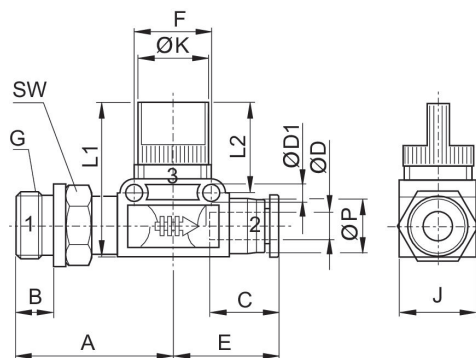
Housing material Polybutyleneterephthalate
 Seal material Acrylonitrile butadiene rubber
 Material hand lever Polybutyleneterephthalate
 Part No. R412005471

Technical information

Versions with connection threads can be rotated by 360°.

Flow direction: 1 to 2

Dimensions



Part No.	Port G	Ø D	A	B	C	Ø D1	E	F	J
R412005470	Ø 6	6	33.5	5	17	4.2	25.2	18.1	17.5
R412005471	Ø 8	8	33.5	5	18.5	4.2	27.7	18.1	17.5
R412005472	Ø 6	6	36.5	6	17	4.2	25.2	18.1	17.5
R412005473	Ø 8	8	36.5	6	18.5	4.2	27.7	18.1	17.5
R412005474	Ø 10	10	40.9	6	21	4.2	31.4	24.4	21
R412005475	Ø 12	12	40.9	6	22.5	4.2	34.2	24.4	21

Part No.	Ø K	L1	L2	SW	Ø P
R412005470	16.3	40.5	22	14	12.4
R412005471	16.3	40.5	22	14	14.4
R412005472	16.3	40.5	22	14	12.4
R412005473	16.3	40.5	22	14	14.4
R412005474	19.2	40.4	19.2	17	17.6
R412005475	19.2	40.4	19.2	17	21