

Series NL2

The AVENTICS Series NL maintenance units are suitable for all areas: as individual components or as assembled maintenance units, for centralized or decentralized compressed air preparation, in compact or powerful versions, for use in high or low temperatures. This line offers a complete, customizable compressed air preparation technology. It includes an option to combine every component in the Series to achieve the desired function, making it possible to adjust the components precisely to the application requirements.



Technical data

Industry	Industrial
Parts	Reservoir
Reservoir	reservoir, polycarbonate, without protective guard
Lubricator version	with level indicator
Lubricator reservoir volume	50 cm ³
Electrical level indicator	with internal query
Max. working pressure	16 bar
Min. ambient temperature	-10 °C
Max. ambient temperature	50 °C
Min. medium temperature	-10 °C
Max. medium temperature	50 °C
Medium	Compressed air Oil
Weight	0.38 kg

Material

Material reservoir	Polycarbonate
Seal material	Acrylonitrile butadiene rubber
Part No.	R412003759

Technical information

The pressure dew point must be at least 15 °C less than ambient and medium temperature and may not exceed 3 °C.

The oil content of compressed air must remain constant during the life cycle.

Use only the approved oils from AVENTICS. Further information can be found in the “Technical information” document (available in <https://www.emerson.com/en-us/support>).

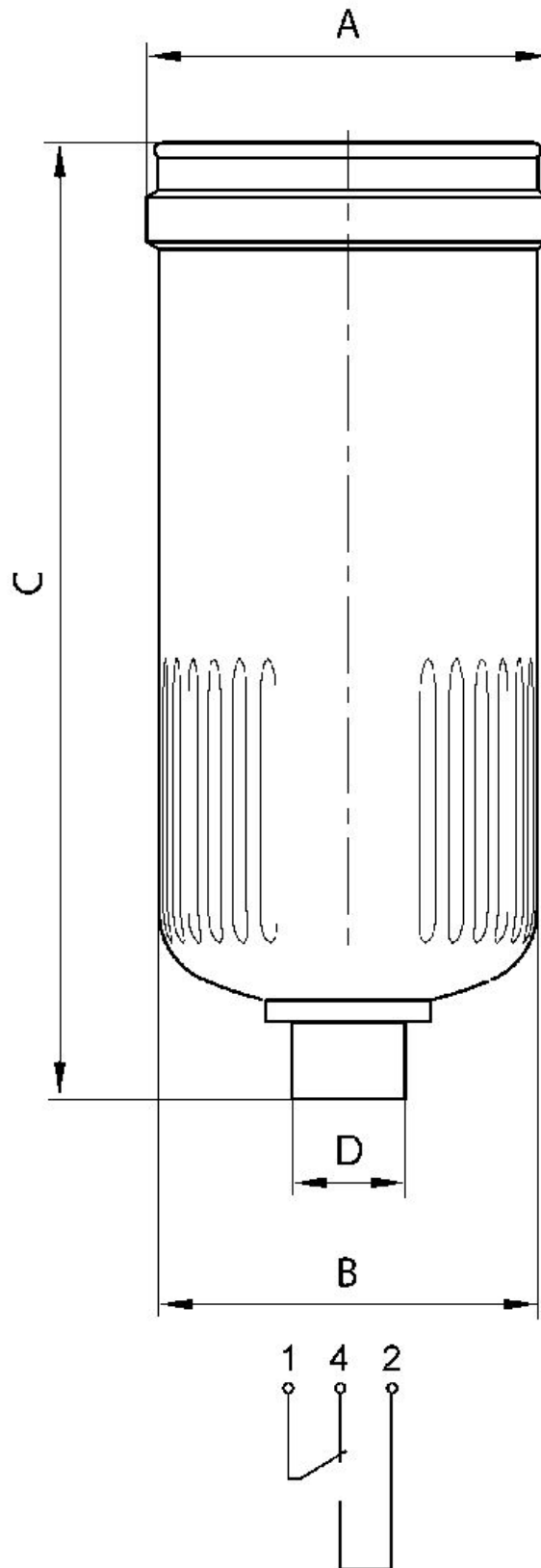
Reservoir for lubricator, Series NL2-CBS

R412003759

NL2

2024-04-23

Fig. 3



Reservoir for lubricator, Series NL2-CBS

R412003759

NL2

2024-04-23

Part No.	A	B	C	D
1827009333	M36x1,5	30	100	-
1827009339	36	30	100	-
R412003759	M36x1,5	30	112	M12x1

Reservoir for lubricator, Series NL2-CBS

R412003759

NL2

2024-04-23

Fig. 1

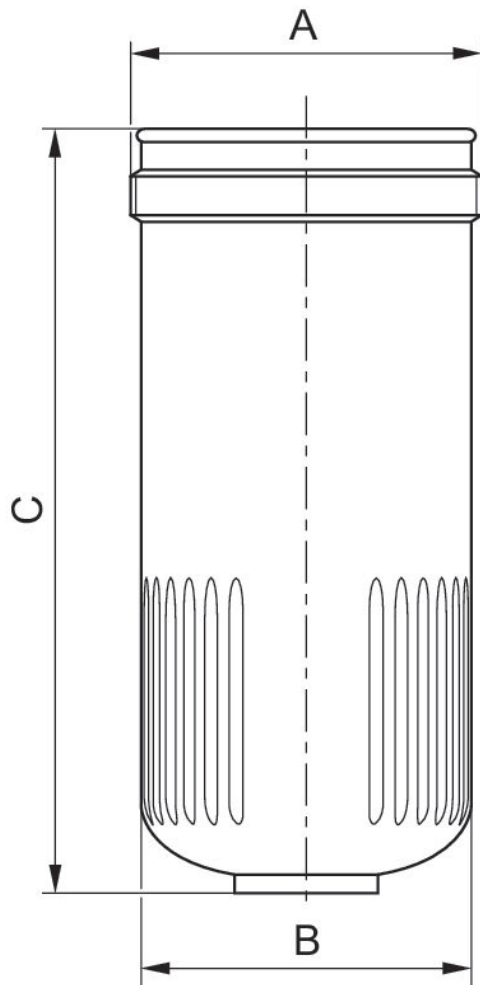


Fig. 2

