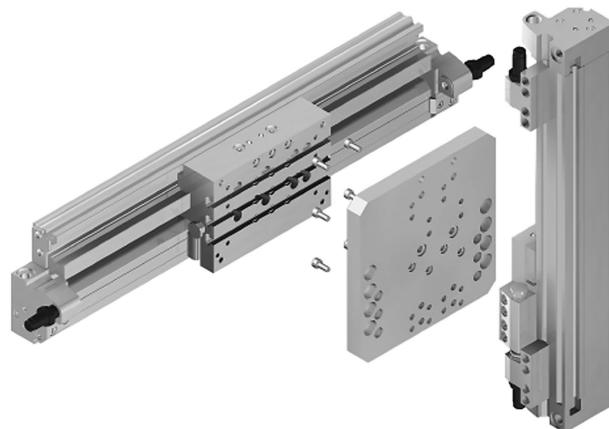


AVENTICS Series Easy-2-Combine Interface

The AVENTICS Easy-2-Combine standardized mounting interface with interlocking connections make it possible to combine the mini slide, rodless cylinders and rotary modules into multi-axis systems without additional connection plates. This simplifies machine design and construction and saves time and money.



Technical data

Industry

Industrial

For series

RTC

Easy2Combine basic

RTC-HD 25

RTC-HD 32

RTC-HD 40

RTC-HD 50

RTC-HD 63

Easy2Combine add-on part

RTC-CG 25

RTC-CG 32

Weight

1.2 kg

Material

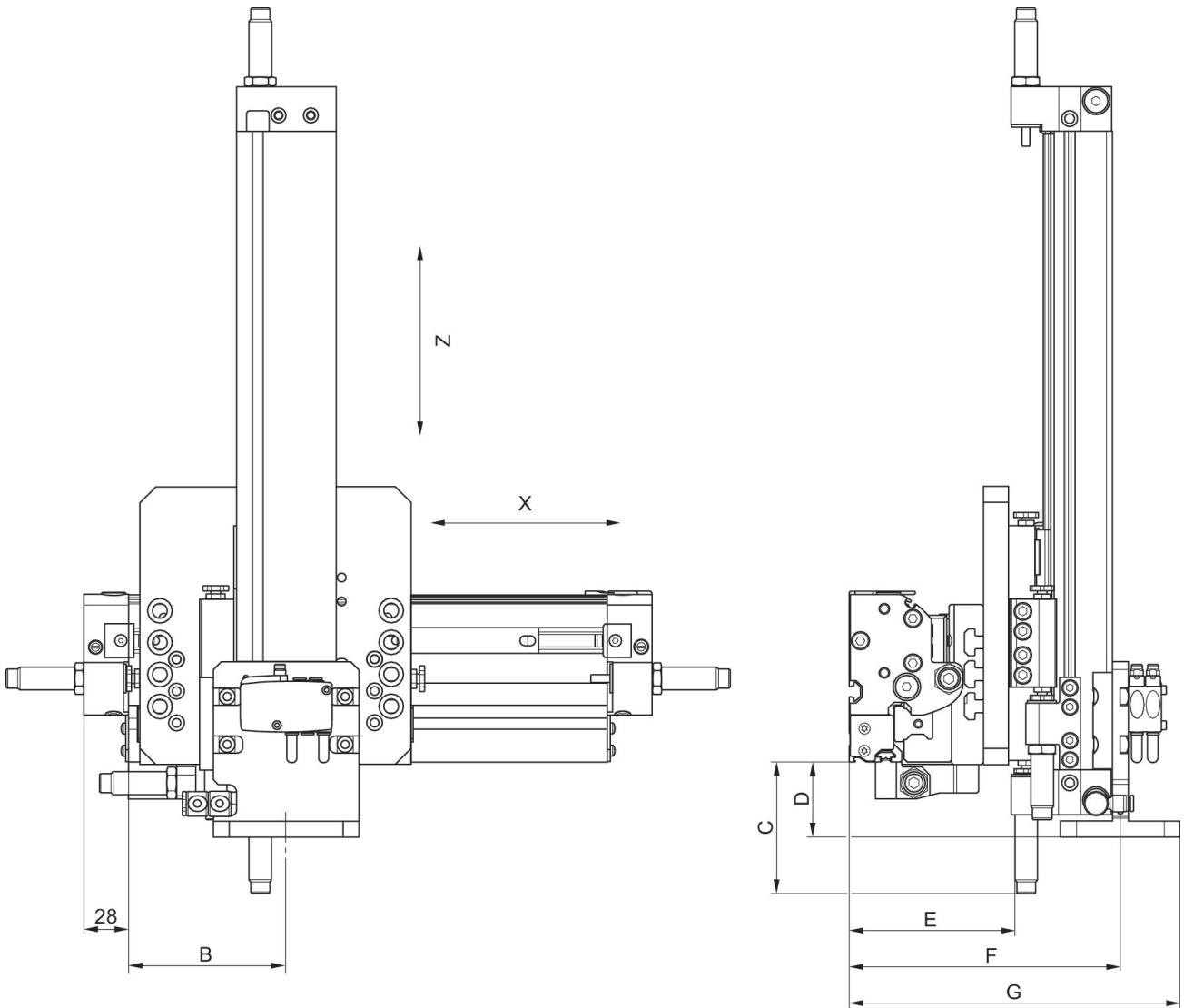
Connection plate material

Aluminum

Part No.

R402003944

Dimensions



NOTICE: To avoid overloading the cylinder, please keep the max. velocity which are given below. X (RTC-HD): Stroke max.: 4300 mm Velocity max.: 0,7 m/s (with centre of gravity of complete Z-axis balanced) Z (RTC-CG): Stroke max. for CG25: 500 mm Stroke max. for CG32: 700 mm Velocity max.: 1,2 m/s (at stroke max.) Max. weight: 2 kg

Dimensions	B	B	C	C	D	D	E	E	F
Type	CG-25	CG-32	CG-25	CG-32	CG-25	CG-32	CG-25	CG-32	CG-25
HD-25	-	-	-	-	-	-	-	-	-
HD-32	98,75	-	75,8	-	47	-	103,7	-	169,8
HD-40	110,3	118,3	75,8	81,3	47	47	117,6	117,2	183,7
HD-50	126	134	81,3	86,8	52,5	52,5	139,3	138,9	205,4

F	G	G
CG-32	CG-25	CG-32
-	-	-
-	207,3	-

Easy2Combine, Connection kit

R402003944

Easy2Combine

2024-01-17

F	G	G
191,7	221,2	229,2
213,4	242,9	250,9