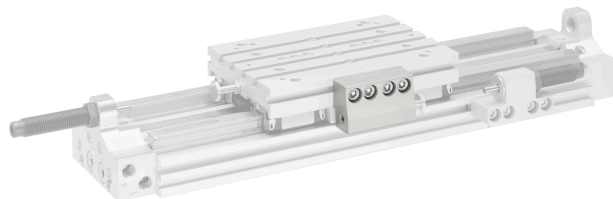


Stop for stroke length adjustment

2023-10-25

R402002701

Foot mountings



Technical data

Industry

Industrial

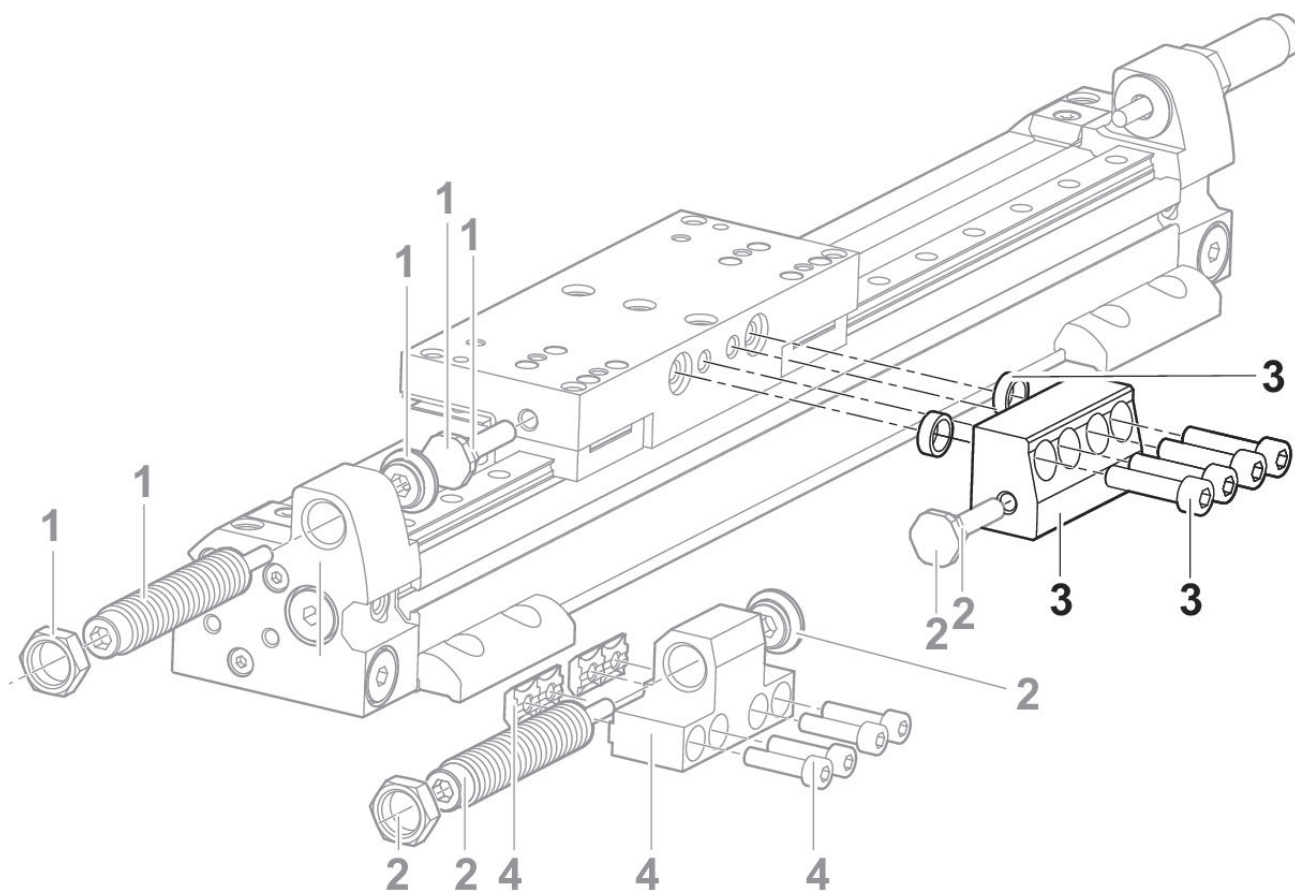
Type

Ø 50 ... 63 mm

Material

Part No.

R402002701



- 1) Shock absorber kit
- 2) Shock absorber kit
- 3) Stop

Stop for stroke length adjustment

2023-10-25

R402002701

4) Holder for shock absorber