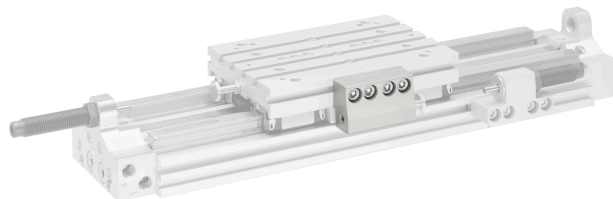


# Stop for stroke length adjustment

2023-10-25

R402002696

## Foot mountings



## Technical data

Industry

Industrial

Type

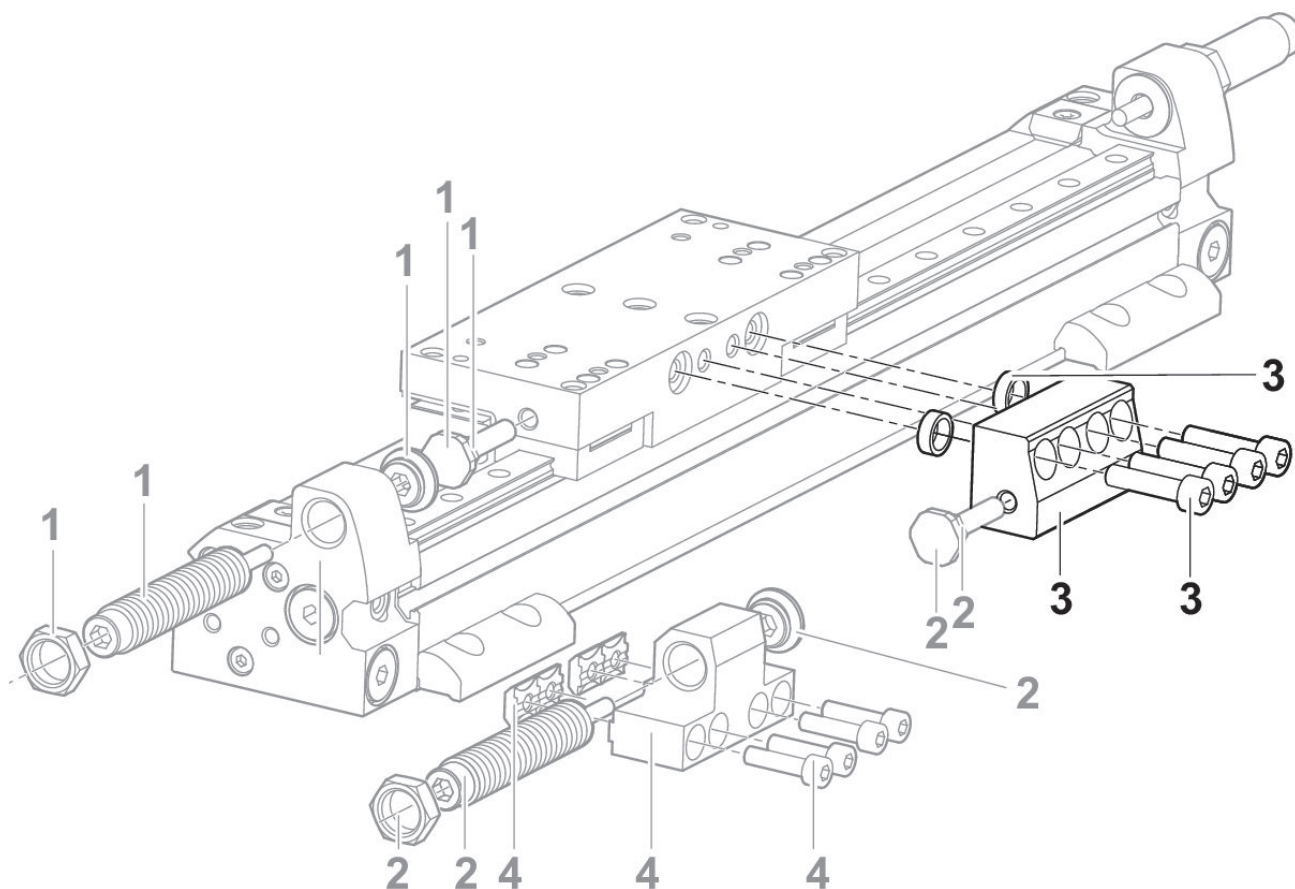
Ø 25 mm (-HD)

Ø 25, 32 mm (-CG,-SB)

## Material

Part No.

R402002696



1) Shock absorber kit

# Stop for stroke length adjustment

2023-10-25

R402002696

---

- 2) Shock absorber kit
- 3) Stop
- 4) Holder for shock absorber