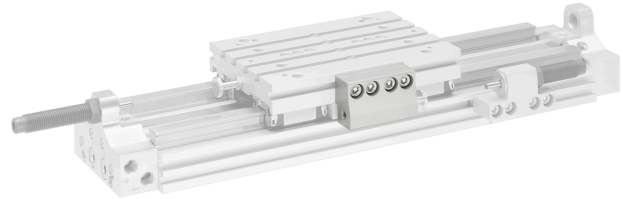


# Stop for stroke length adjustment

2023-10-25

R402002695

## Foot mountings



## Technical data

Industry

Industrial

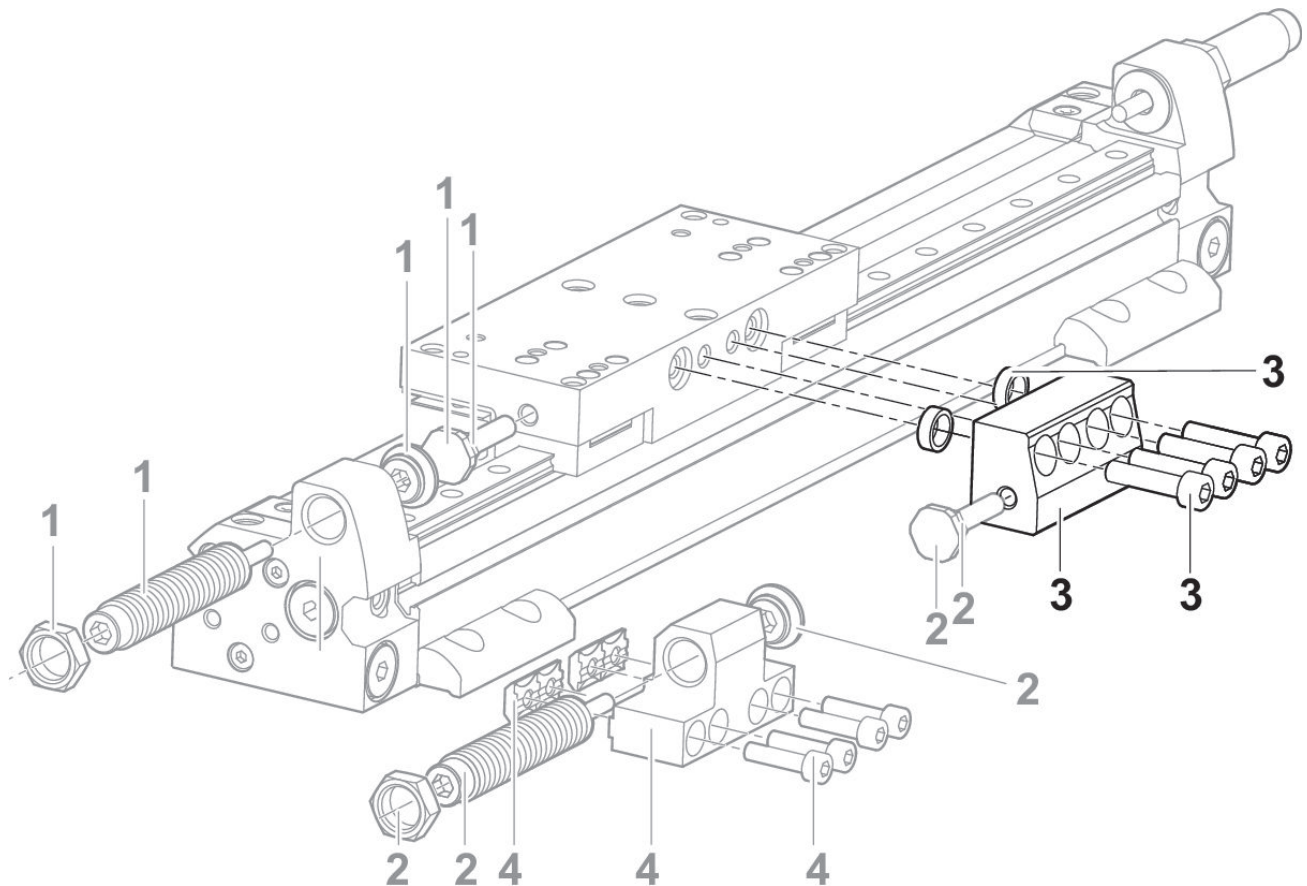
Type

Ø 16 mm

## Material

Part No.

R402002695



- 1) Shock absorber kit
- 2) Shock absorber kit
- 3) Stop

# Stop for stroke length adjustment

2023-10-25

R402002695

---

4) Holder for shock absorber